



PIAGGIO & C.s.p.a.



CATALOGUS RESERVEONDERDELEN



V7 II Special ABS 750 2015

Voorvoegsel frame: ZGULW200

Voorvoegsel motor:



Inhoudsopgave

| | |
|--|----|
| Afgewerkte producten..... | 4 |
| Alfanumerieke inhoudsopgave..... | 5 |
| FRAME..... | 10 |
| Tafel 33.01 - Frame I..... | 10 |
| Tafel 33.02 - Frame II..... | 11 |
| Tafel 33.03 - Lateral stand..... | 12 |
| Tafel 33.04 - Front footrests..... | 13 |
| Tafel 33.05 - Rear footrests..... | 14 |
| Tafel 33.06 - Gear lever..... | 15 |
| Tafel 33.07 - Front fork I..... | 16 |
| Tafel 33.08 - Front fork II..... | 17 |
| Tafel 33.11 - Rear shock absorber..... | 19 |
| Tafel 33.12 - Fuel tank..... | 20 |
| Tafel 33.13 - Front body - Front mudguard..... | 21 |
| Tafel 33.14 - Saddle-Central bod..... | 22 |
| Tafel 33.15 - Rear body I- Mudguard..... | 23 |
| Tafel 33.16 - Rear body II- Plate holder..... | 24 |
| Tafel 33.17 - Dashboard..... | 25 |
| Tafel 33.18 - Handlebar - Controls..... | 26 |
| Tafel 33.19 - Front brake system..... | 27 |
| Tafel 33.21 - Fuel pump..... | 28 |
| Tafel 33.22 - Air box..... | 29 |
| Tafel 33.23 - Exhaust unit..... | 30 |
| Tafel 33.24 - Front wheel I..... | 31 |
| Tafel 33.25 - Rear wheel I..... | 32 |
| Tafel 33.26 - Rear master cylinder..... | 33 |
| Tafel 33.27 - Rear brake caliper..... | 34 |
| Tafel 33.28 - Front lights..... | 35 |
| Tafel 33.29 - Rear lights..... | 36 |
| Tafel 33.30 - Electrical system I..... | 37 |
| Tafel 33.31 - Electrical system II..... | 38 |
| Tafel 33.32 - Lock hardware kit..... | 39 |
| Tafel 33.33 - Decal and plate set..... | 40 |
| Tafel 33.36 - Reminstallatie ABS..... | 41 |
| ENGINE..... | 42 |
| Tafel 34.09 - Transmission complete I..... | 42 |
| Tafel 34.10 - Transmission complete II..... | 43 |
| Tafel 34.34 - Crank-case..... | 46 |
| Tafel 34.35 - Timing system cover..... | 47 |
| Tafel 34.36 - Cylinder head..... | 48 |
| Tafel 34.37 - Crankshaft cpl..... | 49 |
| Tafel 34.38 - Timing system..... | 50 |
| Tafel 34.39 - Oil pump..... | 52 |



| | |
|--|----|
| Tafel 34.40 - Clutch I..... | 53 |
| Tafel 34.41 - Clutch II..... | 54 |
| Tafel 34.42 - Transmission cage..... | 55 |
| Tafel 34.43 - Gear box..... | 56 |
| Tafel 34.44 - Gear box selector..... | 57 |
| Tafel 34.45 - Generator - Regulator..... | 58 |
| Tafel 34.46 - Starter motor..... | 59 |
| Tafel 34.47 - Throttle body..... | 60 |



Afgewerkte producten

| Code | Geldigheid |
|----------------|------------|
| GU9032114AUE00 | |
| GU9032114AUE01 | |
| GU9032114EUE00 | |
| GU9032114EUE01 | |
| GU9032114EUE02 | |
| GU9032114EUE03 | |
| GU9032114GBE00 | |
| GU9032114GBE01 | |
| GU9032114GBE02 | |
| GU9032114GBE03 | |
| GU9032114JPE00 | |
| GU9032114JPE01 | |



| Code | N.Tafel | Pos. | Code | N.Tafel | Pos. | Code | N.Tafel | Pos. |
|-----------|---------|------|----------------|---------|------|--------------|---------|------|
| | 33.27 | 7 | 2B000988 | 33.02 | 2 | 2Q000056 | 33.33 | 10 |
| 080341 | 33.30 | 6 | 2B000995 | 33.23 | 1 | 2R000109 | 33.08 | 29 |
| 1A000360 | 34.43 | 5 | 2B000996 | 33.23 | 2 | 2R000110 | 33.08 | 4 |
| 1A000361 | 34.43 | 11 | 2B001004 | 33.02 | 9 | 2R000243 | 33.08 | 15 |
| 1A000365 | 34.43 | 14 | 2B001008 | 33.02 | 8 | 584211 | 33.31 | 10 |
| 1A000366 | 34.43 | 16 | 2B001016 | 33.36 | 13 | 638733 | 33.31 | 6 |
| 1A000367 | 34.43 | 20 | 2B001031 | 34.47 | 14 | 641040 | 33.30 | 8 |
| 1A000368 | 34.43 | 21 | 2B001033 | 33.03 | 1 | 641541 | 34.39 | 8 |
| 1A000369 | 34.43 | 22 | 2B001035 | 33.01 | 10 | 641725 | 33.30 | 7 |
| 1A000370 | 34.43 | 18 | 2B001096 | 33.06 | 1 | 641901 | 33.30 | 4 |
| 1A000436 | 34.43 | 8 | 2B001101 | 33.17 | 8 | 642034 | 33.30 | 3 |
| 1A000566 | 34.43 | 2 | 2B001138 | 33.18 | 25 | 658837 | 33.26 | 11 |
| 1A002604 | 34.43 | 7 | 2B001197 | 33.19 | 13 | 832029 | 33.30 | 14 |
| 248419 | 33.26 | 19 | 2B001199 | 33.19 | 1 | 834764 | 34.40 | 9 |
| 254485 | 33.15 | 4 | 2B001202 | 33.18 | 3 | 848650 | 34.40 | 3 |
| 254485 | 33.22 | 14 | 2B001204 | 34.36 | 28 | 849308 | 34.43 | 4 |
| 254485 | 33.23 | 20 | 2B001230 | 33.02 | 10 | 849309 | 34.43 | 17 |
| 254485 | 33.28 | 20 | 2B001300 | 33.18 | 2 | 849310 | 34.43 | 19 |
| 254485 | 34.45 | 10 | 2B001342 | 33.21 | 2 | 849396 | 34.43 | 12 |
| 285536 | 34.40 | 14 | 2B001427 | 33.07 | 1 | 849424 | 34.43 | 6 |
| 2A000085 | 34.35 | 1 | 2B001555 | 33.36 | 5 | 854973 | 33.36 | 8 |
| 2A000097 | 34.42 | 4 | 2B001556 | 33.36 | 4 | 857206 | 34.45 | 4 |
| 2A0000995 | 34.37 | 1 | 2B001557 | 33.36 | 2 | 857250 | 34.42 | 10 |
| 2A000115 | 34.45 | 6 | 2B001558 | 33.36 | 3 | 859792 | 33.24 | 20 |
| 2A000129 | 34.45 | 7 | 2B001561 | 33.24 | 22 | 859792 | 33.25 | 24 |
| 2A000146 | 34.38 | 1 | 2B001564 | 33.36 | 14 | 860651 | 34.09 | 19 |
| 2A000147 | 34.38 | 2 | 2B001570 | 33.36 | 21 | 862560 | 34.44 | 22 |
| 2A000196 | 34.42 | 16 | 2B001591 | 33.08 | 10 | 873905 | 34.40 | 8 |
| 2A000199 | 34.43 | 23 | 2B001597 | 33.26 | 13 | 873928 | 34.40 | 6 |
| 2A000202 | 34.43 | 24 | 2B001612 | 33.02 | 3 | 873928 | 34.42 | 8 |
| 2A000203 | 34.43 | 15 | 2B001614 | 33.36 | 15 | 874567 | 34.37 | 14 |
| 2A000204 | 34.41 | 12 | 2B001678 | 33.23 | 11 | 880260 | 34.47 | 4 |
| 2A000210 | 34.42 | 1 | 2B001679 | 33.23 | 10 | 883051 | 33.04 | 1 |
| 2A000216 | 34.41 | 13 | 2B001701 | 33.29 | 1 | 883052 | 33.04 | 2 |
| 2A000219 | 34.44 | 5 | 2B001708 | 33.24 | 21 | 883127 | 33.22 | 6 |
| 2A000222 | 34.44 | 12 | 2B001783 | 33.15 | 12 | 883161 | 33.31 | 11 |
| 2A000224 | 34.44 | 16 | 2B001926 | 33.19 | 9 | 883266 | 33.13 | 2 |
| 2A000225 | 34.44 | 19 | 2B001927 | 33.19 | 8 | 883293 | 33.23 | 15 |
| 2A000226 | 34.44 | 17 | 2B001928 | 33.19 | 6 | 883294 | 33.23 | 4 |
| 2A000227 | 34.44 | 18 | 2B001929 | 33.19 | 7 | 883295 | 33.14 | 5 |
| 2A000230 | 34.43 | 1 | 2B001941 | 33.06 | 8 | 883297 | 33.23 | 13 |
| 2A0002355 | 34.34 | 1 | 2B001959 | 34.09 | 11 | 883298 | 33.23 | 14 |
| 2A000241 | 34.40 | 17 | 2B001998 | 33.18 | 24 | 883349 | 33.25 | 8 |
| 2A000241 | 34.42 | 6 | 2D000005 | 33.30 | 11 | 883350 | 33.25 | 7 |
| 2A000306 | 34.42 | 5 | 2D000006 | 33.32 | 10 | 883417 | 33.28 | 18 |
| 2A000375 | 34.42 | 11 | 2D000021 | 33.17 | 10 | 883673 | 33.19 | 17 |
| 2A000376 | 34.41 | 20 | 2D000022 | 33.17 | 9 | 883688 | 33.24 | 10 |
| 2A000378 | 34.41 | 24 | 2D000024 | 34.45 | 1 | 883704 | 33.23 | 25 |
| 2A0003794 | 34.40 | 1 | 2D000043 | 34.45 | 2 | 883802 | 33.18 | 10 |
| 2A000383 | 34.41 | 1 | 2D000102 | 33.36 | 1 | 883826 | 34.34 | 18 |
| 2A000384 | 34.41 | 5 | 2D000108 | 33.30 | 1 | 884029 | 34.47 | 11 |
| 2A000385 | 34.41 | 6 | 2D000108 | 33.31 | 1 | 884035 | 33.11 | 1 |
| 2A000416 | 34.44 | 20 | 2H000019000XN2 | 33.12 | 1 | 884038 | 34.40 | 24 |
| 2A000438 | 34.42 | 17 | 2H000023 | 33.33 | 7 | 884039 | 34.39 | 7 |
| 2B000225 | 33.25 | 22 | 2H000024 | 33.33 | 13 | 884310 | 34.47 | 15 |
| 2B000229 | 33.27 | 1 | 2H000025 | 33.33 | 4 | 884311 | 34.47 | 13 |
| 2B000276 | 33.36 | 22 | 2H000026 | 33.33 | 12 | 886141 | 33.33 | 6 |
| 2B000348 | 33.05 | 13 | 2H000659 | 33.33 | 7 | 886340 | 33.33 | 1 |
| 2B000349 | 33.05 | 12 | 2H000660 | 33.33 | 13 | 886352000XN2 | 33.13 | 1 |
| 2B000377 | 33.25 | 23 | 2H000661 | 33.33 | 4 | 886365 | 34.34 | 10 |
| 2B000508 | 33.26 | 14 | 2H000662 | 33.33 | 12 | 886629 | 34.40 | 2 |
| 2B000525 | 33.27 | 6 | 2H000663000YA4 | 33.12 | 1 | 886670 | 34.37 | 11 |
| 2B000840 | 33.14 | 16 | 2H000663000YR6 | 33.12 | 1 | 887002 | 34.36 | 10 |
| 2B000878 | 33.14 | 9 | 2H000725 | 33.33 | 5 | 887003 | 34.35 | 2 |
| 2B000909 | 33.12 | 14 | 2H000728000XN2 | 33.14 | 10 | 887004 | 34.34 | 13 |
| 2B000975 | 33.01 | 1 | 2H000729000XN2 | 33.14 | 17 | 887093 | 34.39 | 9 |
| 2B000980 | 33.02 | 1 | 2L0002405 | 34.34 | 28 | 887194 | 33.17 | 1 |



| Code | N.Tafel | Pos. | Code | N.Tafel | Pos. | Code | N.Tafel | Pos. |
|------------|---------|------|-----------|---------|------|-----------|---------|------|
| 887207 | 33.12 | 1 | 890760 | 33.22 | 16 | AP8120573 | 33.05 | 9 |
| 8872690001 | 34.37 | 10 | 890979 | 33.28 | 16 | AP8120615 | 33.22 | 10 |
| 8872690002 | 34.37 | 10 | 894505 | 33.25 | 13 | AP8120772 | 33.22 | 20 |
| 8872690003 | 34.37 | 10 | 894704 | 33.31 | 26 | AP8120870 | 33.23 | 24 |
| 8872724 | 34.36 | 1 | 895709 | 33.36 | 18 | AP8120876 | 33.22 | 8 |
| 8872754 | 34.36 | 2 | 895839 | 33.33 | 8 | AP8120912 | 33.06 | 2 |
| 887279 | 34.36 | 24 | 896110 | 33.23 | 21 | AP8120912 | 33.26 | 2 |
| 887443 | 33.33 | 9 | 897478 | 34.45 | 3 | AP8121014 | 33.03 | 3 |
| 887448 | 33.25 | 12 | 898164 | 33.11 | 3 | AP8121032 | 33.15 | 10 |
| 887481 | 33.30 | 12 | 898283 | 33.06 | 4 | AP8121032 | 33.15 | 13 |
| 887483 | 34.36 | 25 | 959559 | 33.36 | 16 | AP8121032 | 33.17 | 7 |
| 887523 | 34.36 | 9 | 967356 | 33.03 | 6 | AP8121072 | 33.23 | 22 |
| 887528 | 34.38 | 27 | 969973 | 34.36 | 26 | AP8121133 | 33.05 | 6 |
| 887762 | 33.24 | 11 | 974162 | 34.43 | 10 | AP8121307 | 33.07 | 4 |
| 887787 | 33.21 | 5 | 974165 | 34.43 | 13 | AP8121375 | 33.03 | 2 |
| 887815 | 33.22 | 13 | 976604 | 34.34 | 12 | AP8121420 | 33.14 | 7 |
| 887826 | 33.28 | 4 | 976608 | 34.10 | 1 | AP8121420 | 33.32 | 8 |
| 887826 | 33.29 | 4 | 976685 | 34.34 | 16 | AP8121673 | 33.12 | 12 |
| 887827 | 33.28 | 5 | 976898 | 34.36 | 20 | AP8124936 | 33.30 | 2 |
| 887827 | 33.29 | 5 | 976941 | 34.09 | 1 | AP8127856 | 33.03 | 8 |
| 8878421 | 33.22 | 1 | 977527 | 33.14 | 6 | AP8134378 | 33.23 | 18 |
| 887843 | 33.22 | 2 | 977527 | 33.32 | 4 | AP8134448 | 33.16 | 2 |
| 887844 | 33.22 | 11 | 978311 | 33.28 | 2 | AP8134451 | 33.05 | 5 |
| 887845 | 33.22 | 12 | 978385 | 33.23 | 12 | AP8144007 | 33.26 | 4 |
| 887852 | 33.18 | 4 | 978415 | 33.14 | 8 | AP8144071 | 33.23 | 16 |
| 887853 | 33.18 | 5 | 978415 | 33.32 | 9 | AP8144071 | 34.36 | 23 |
| 887873 | 33.32 | 1 | 978570 | 33.18 | 10 | AP8144081 | 33.07 | 5 |
| 887874 | 33.32 | 3 | 978662 | 33.28 | 2 | AP8144146 | 33.07 | 3 |
| 887875 | 33.24 | 19 | 978938 | 34.47 | 19 | AP8144553 | 33.22 | 7 |
| 887878 | 33.08 | 1 | 978939 | 34.47 | 20 | AP8144729 | 33.22 | 17 |
| 887879 | 33.08 | 2 | 978940 | 33.14 | 10 | AP8145034 | 33.04 | 3 |
| 887880 | 33.08 | 3 | 978943 | 33.14 | 17 | AP8145035 | 33.04 | 10 |
| 887882 | 33.08 | 5 | 978946 | 33.15 | 1 | AP8150015 | 33.36 | 12 |
| 887883 | 33.08 | 6 | 978947 | 33.15 | 1 | AP8150045 | 34.40 | 11 |
| 887884 | 33.08 | 7 | 978947 | 33.15 | 2 | AP8150178 | 33.24 | 17 |
| 887885 | 33.08 | 8 | 978949 | 33.16 | 1 | AP8150349 | 33.32 | 6 |
| 887886 | 33.08 | 9 | 978951 | 33.01 | 12 | AP8150377 | 33.28 | 13 |
| 887888 | 33.08 | 11 | 978952 | 33.01 | 16 | AP8150436 | 33.02 | 12 |
| 887889 | 33.08 | 12 | 978960 | 33.18 | 1 | AP8150450 | 33.14 | 12 |
| 887890 | 33.08 | 13 | 978969 | 33.26 | 3 | AP8150451 | 33.36 | 19 |
| 887891 | 33.08 | 14 | 981149 | 33.28 | 12 | AP8150509 | 33.22 | 19 |
| 887893 | 33.08 | 16 | AP8101594 | 33.26 | 20 | AP8152043 | 33.19 | 4 |
| 887894 | 33.08 | 17 | AP8101595 | 33.12 | 10 | AP8152220 | 33.02 | 11 |
| 887895 | 33.08 | 18 | AP8101861 | 33.05 | 7 | AP8152220 | 34.39 | 18 |
| 887896 | 33.08 | 19 | AP8102375 | 33.14 | 15 | AP8152273 | 33.21 | 4 |
| 887898 | 33.08 | 21 | AP8102375 | 33.31 | 14 | AP8152277 | 33.04 | 7 |
| 887899 | 33.08 | 22 | AP8102520 | 33.22 | 27 | AP8152277 | 33.05 | 8 |
| 887900 | 33.08 | 23 | AP8102524 | 33.03 | 4 | AP8152278 | 33.11 | 2 |
| 887901 | 33.08 | 24 | AP8102766 | 33.22 | 23 | AP8152278 | 33.15 | 3 |
| 887902 | 33.08 | 25 | AP8102913 | 33.14 | 3 | AP8152279 | 33.15 | 9 |
| 887903 | 33.08 | 26 | AP8104525 | 33.22 | 5 | AP8152279 | 33.36 | 11 |
| 887904 | 33.08 | 27 | AP8104924 | 33.22 | 4 | AP8152281 | 34.45 | 9 |
| 887905 | 33.08 | 28 | AP8113003 | 33.19 | 15 | AP8152282 | 33.31 | 7 |
| 887908 | 33.26 | 26 | AP8113003 | 33.36 | 7 | AP8152288 | 33.27 | 4 |
| 887910 | 33.26 | 1 | AP8113004 | 33.19 | 14 | AP8152298 | 33.26 | 18 |
| 887911 | 33.26 | 24 | AP8113004 | 33.36 | 6 | AP8152298 | 34.47 | 6 |
| 887912 | 33.08 | 30 | AP8113241 | 33.26 | 22 | AP8152299 | 33.15 | 14 |
| 887913 | 33.08 | 31 | AP8113288 | 33.26 | 16 | AP8152299 | 33.30 | 5 |
| 887914 | 33.08 | 32 | AP8113553 | 33.26 | 23 | AP8152306 | 33.16 | 5 |
| 887915 | 33.08 | 33 | AP8120030 | 33.36 | 10 | AP8152329 | 33.15 | 11 |
| 887916 | 33.08 | 34 | AP8120246 | 34.09 | 10 | AP8152329 | 33.22 | 18 |
| 887917 | 33.08 | 36 | AP8120311 | 33.01 | 13 | AP8152329 | 33.22 | 24 |
| 887930 | 33.33 | 2 | AP8120416 | 33.30 | 18 | AP8152339 | 33.14 | 14 |
| 887931 | 33.33 | 3 | AP8120416 | 33.31 | 19 | AP8152385 | 33.19 | 16 |
| 88793900A1 | 33.14 | 1 | AP8120455 | 33.22 | 9 | AP8161054 | 33.22 | 15 |
| 887948 | 33.30 | 13 | AP8120557 | 33.12 | 11 | AP8181140 | 33.31 | 24 |
| 887952 | 33.26 | 27 | AP8120573 | 33.04 | 9 | AP8201358 | 33.22 | 3 |



| Code | N.Tafel | Pos. | Code | N.Tafel | Pos. | Code | N.Tafel | Pos. |
|---------------|---------|------|---------------|---------|------|------------|---------|------|
| AP8201358 | 34.36 | 27 | GU00823950050 | 33.26 | 21 | GU19015020 | 34.34 | 5 |
| AP8213028 | 33.18 | 23 | GU01528930 | 34.10 | 9 | GU19017000 | 33.02 | 4 |
| AP8213057 | 33.26 | 15 | GU01528930 | 34.42 | 18 | GU19018920 | 34.39 | 10 |
| AP8213388 | 33.18 | 18 | GU01609630 | 33.18 | 14 | GU19021360 | 34.36 | 18 |
| AP8220283 | 33.31 | 22 | GU01659130 | 33.19 | 11 | GU19021920 | 34.36 | 7 |
| AP8220460 | 33.07 | 6 | GU01659131 | 33.19 | 12 | GU19025280 | 33.23 | 5 |
| AP8221023 | 33.22 | 25 | GU01665410 | 33.26 | 25 | GU19025460 | 33.23 | 6 |
| AP8221023 | 33.36 | 9 | GU03013800 | 33.06 | 7 | GU19027500 | 34.38 | 15 |
| AP8221197 | 33.03 | 5 | GU03013800 | 33.23 | 8 | GU19030500 | 34.38 | 7 |
| AP8221277 | 33.04 | 6 | GU03013800 | 34.47 | 10 | GU19032080 | 34.38 | 10 |
| AP8224164 | 33.16 | 3 | GU03067730 | 34.10 | 19 | GU19032980 | 34.36 | 17 |
| AP8224462 | 33.31 | 21 | GU03101600 | 33.12 | 7 | GU19032980 | 34.38 | 14 |
| B013037 | 34.41 | 10 | GU03101720 | 33.12 | 5 | GU19034000 | 34.38 | 8 |
| B013608 | 34.40 | 5 | GU03101900 | 33.12 | 3 | GU19037820 | 34.36 | 8 |
| B013608 | 34.42 | 9 | GU03102200 | 33.12 | 6 | GU19045861 | 34.38 | 25 |
| B015040 | 34.43 | 9 | GU03102400 | 33.12 | 2 | GU19055700 | 34.38 | 23 |
| B015598 | 34.40 | 15 | GU03103200 | 33.12 | 8 | GU19058021 | 34.38 | 19 |
| B016796 | 34.47 | 5 | GU03103500 | 33.12 | 4 | GU19058220 | 34.38 | 20 |
| B017406 | 34.40 | 12 | GU03163330 | 33.31 | 3 | GU19062261 | 34.37 | 4 |
| B017470 | 34.43 | 3 | GU03609600 | 33.18 | 14 | GU19065400 | 34.37 | 2 |
| B018020 | 34.40 | 13 | GU03612040 | 33.24 | 16 | GU19067700 | 34.37 | 18 |
| B018448 | 34.40 | 16 | GU03631250 | 33.24 | 4 | GU19083462 | 34.40 | 22 |
| B043850 | 33.31 | 23 | GU03631250 | 33.25 | 9 | GU19146422 | 34.39 | 1 |
| B063016 | 34.37 | 13 | GU03658201 | 33.36 | 20 | GU19152200 | 34.39 | 11 |
| B063022 | 33.23 | 3 | GU03658330 | 33.36 | 17 | GU19206501 | 34.10 | 10 |
| B063025 | 34.42 | 15 | GU03740930 | 33.29 | 2 | GU19213760 | 34.41 | 15 |
| B063025 | 34.44 | 21 | GU03749845 | 33.19 | 5 | GU19327601 | 34.09 | 5 |
| B063049 | 34.47 | 2 | GU03922280 | 34.09 | 23 | GU19328801 | 34.09 | 3 |
| B063077 | 33.24 | 5 | GU05107430 | 33.21 | 3 | GU19350700 | 34.10 | 22 |
| B063078 | 33.25 | 11 | GU05217630 | 34.41 | 18 | GU19351100 | 34.10 | 4 |
| B063099 | 34.36 | 19 | GU05234230 | 34.44 | 9 | GU19351900 | 34.10 | 2 |
| B063111 | 34.36 | 6 | GU05234631 | 34.44 | 13 | GU19352300 | 34.10 | 23 |
| B063132 | 33.04 | 13 | GU05235531 | 34.44 | 14 | GU19353500 | 34.10 | 24 |
| B063135 | 33.18 | 6 | GU05238131 | 34.44 | 3 | GU19355200 | 34.10 | 35 |
| B063144 | 33.24 | 3 | GU05238231 | 34.44 | 6 | GU19355202 | 34.10 | 36 |
| B063233 | 33.31 | 5 | GU05238431 | 34.44 | 7 | GU19355300 | 34.10 | 33 |
| B063269 | 34.42 | 3 | GU05239330 | 34.44 | 1 | GU19355301 | 34.10 | 33 |
| B063287 | 33.01 | 4 | GU05659230 | 33.19 | 10 | GU19355302 | 34.10 | 33 |
| B063431 | 33.14 | 11 | GU05730730 | 34.46 | 1 | GU19355303 | 34.10 | 33 |
| B063443 | 33.26 | 28 | GU05900130 | 33.33 | 11 | GU19355304 | 34.10 | 33 |
| B063465 | 34.37 | 15 | GU06740400 | 33.28 | 17 | GU19355305 | 34.10 | 33 |
| B063466 | 34.37 | 16 | GU10528900 | 34.34 | 15 | GU19355306 | 34.10 | 33 |
| B063702 | 33.24 | 1 | GU12003702 | 34.34 | 20 | GU19355307 | 34.10 | 33 |
| B063704 | 33.25 | 1 | GU12022600 | 34.10 | 6 | GU19355308 | 34.10 | 33 |
| B063735 | 33.28 | 14 | GU12022600 | 34.40 | 10 | GU19355309 | 34.10 | 33 |
| B063735 | 33.29 | 6 | GU12154200 | 34.34 | 23 | GU19355320 | 34.10 | 27 |
| B063749 | 33.11 | 1 | GU13021900 | 34.34 | 26 | GU19355321 | 34.10 | 27 |
| B063752 | 33.21 | 1 | GU13021900 | 34.36 | 12 | GU19355322 | 34.10 | 27 |
| B063956 | 34.44 | 4 | GU14085900 | 34.41 | 17 | GU19355323 | 34.10 | 27 |
| B063975 | 33.18 | 15 | GU14086100 | 34.41 | 7 | GU19355324 | 34.10 | 27 |
| B064112 | 34.44 | 8 | GU14090400 | 34.41 | 2 | GU19355325 | 34.10 | 27 |
| B064113 | 34.44 | 11 | GU14217901 | 34.40 | 25 | GU19355326 | 34.10 | 27 |
| CM0074C9 | 33.30 | 10 | GU14609650 | 33.30 | 20 | GU19355327 | 34.10 | 27 |
| CM0074D0 | 33.30 | 9 | GU14609650 | 33.31 | 19 | GU19355328 | 34.10 | 27 |
| CM013202 | 33.31 | 25 | GU14615901 | 33.05 | 15 | GU19355329 | 34.10 | 27 |
| CM225705 | 33.31 | 15 | GU14615901 | 33.13 | 5 | GU19355400 | 34.10 | 21 |
| CM225710 | 33.31 | 16 | GU14615901 | 34.09 | 20 | GU19355402 | 34.10 | 21 |
| CM225715 | 33.31 | 17 | GU14615901 | 34.37 | 5 | GU19355404 | 34.10 | 21 |
| CM225720 | 33.31 | 20 | GU14616150 | 33.24 | 15 | GU19355406 | 34.10 | 21 |
| CM225730 | 33.31 | 18 | GU14616150 | 33.25 | 10 | GU19355408 | 34.10 | 21 |
| CM228306 | 34.47 | 1 | GU18144350 | 34.39 | 16 | GU19355410 | 34.10 | 21 |
| CM228401 | 33.04 | 8 | GU18161150 | 34.39 | 21 | GU19355411 | 34.10 | 21 |
| CM228401 | 33.05 | 4 | GU18257551 | 33.26 | 8 | GU19355412 | 34.10 | 21 |
| CM258303 | 33.22 | 22 | GU19002020 | 34.35 | 5 | GU19355413 | 34.10 | 21 |
| GU00823923140 | 33.03 | 7 | GU19002020 | 34.42 | 2 | GU19356700 | 34.10 | 30 |
| GU00823931055 | 33.28 | 19 | GU19003800 | 34.34 | 8 | GU19356760 | 34.41 | 16 |
| GU00823944050 | 33.12 | 13 | GU19007700 | 34.45 | 8 | GU19356801 | 34.10 | 28 |

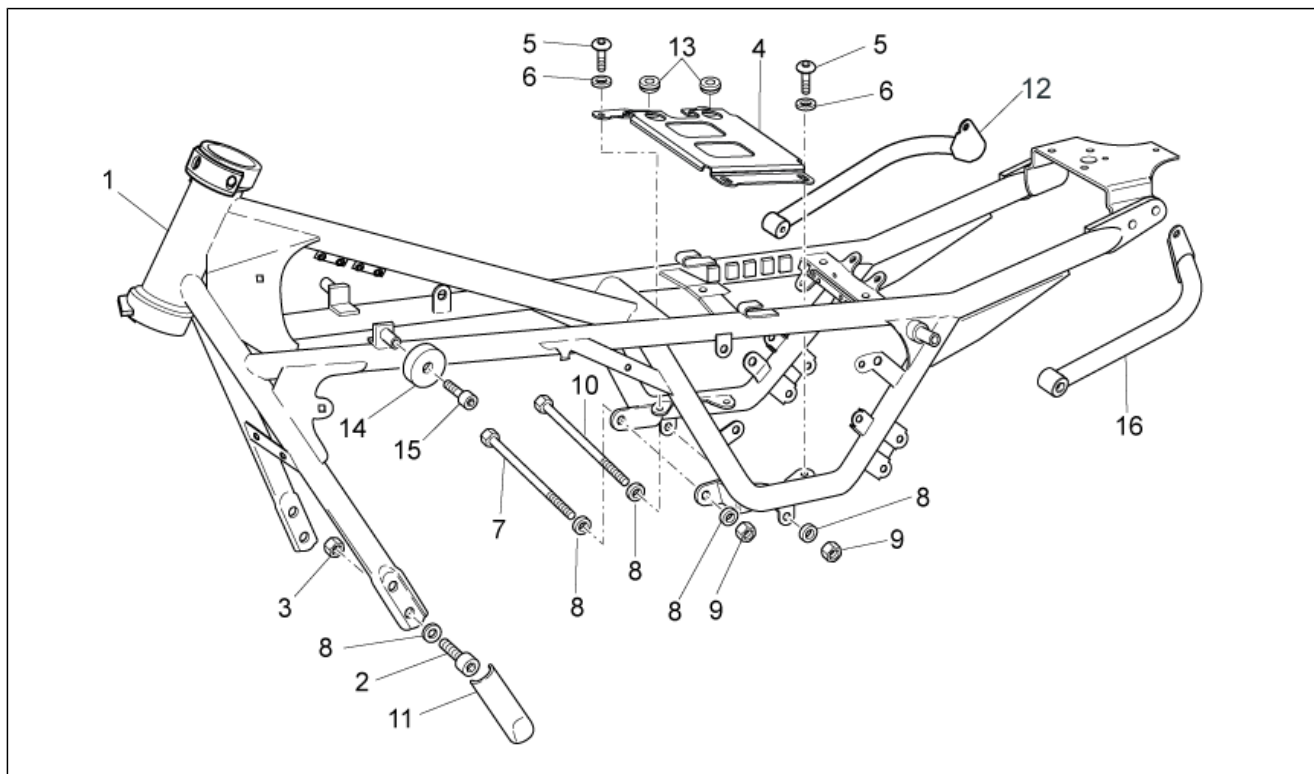


| Code | N.Tafel | Pos. | Code | N.Tafel | Pos. | Code | N.Tafel | Pos. |
|------------|---------|------|------------|---------|------|------------|---------|------|
| GU19357660 | 34.10 | 25 | GU32354610 | 34.10 | 18 | GU90706203 | 34.40 | 26 |
| GU19547000 | 34.09 | 12 | GU32434460 | 33.13 | 1 | GU90706235 | 34.41 | 14 |
| GU20147710 | 34.39 | 17 | GU32441210 | 33.04 | 5 | GU90706281 | 34.34 | 19 |
| GU20147810 | 34.39 | 3 | GU32441210 | 33.05 | 3 | GU90706444 | 34.34 | 17 |
| GU20148410 | 34.39 | 4 | GU32442310 | 33.05 | 1 | GU90706584 | 34.10 | 37 |
| GU20148610 | 34.39 | 5 | GU32442710 | 33.05 | 10 | GU91113826 | 33.23 | 23 |
| GU20258221 | 33.06 | 9 | GU32443210 | 33.04 | 4 | GU91120806 | 33.15 | 6 |
| GU20352421 | 34.10 | 31 | GU32443210 | 33.05 | 2 | GU91181003 | 33.18 | 11 |
| GU20355121 | 34.10 | 34 | GU32443211 | 33.04 | 11 | GU91181003 | 33.19 | 3 |
| GU23217800 | 34.38 | 3 | GU32443211 | 33.05 | 11 | GU91551010 | 33.22 | 21 |
| GU23328081 | 34.09 | 7 | GU32457810 | 33.01 | 11 | GU91551086 | 33.14 | 13 |
| GU23548080 | 34.09 | 8 | GU32461610 | 33.14 | 2 | GU92201070 | 34.10 | 14 |
| GU23548180 | 34.09 | 9 | GU32506360 | 33.28 | 1 | GU92201226 | 34.40 | 4 |
| GU23943410 | 33.08 | 35 | GU32517710 | 33.31 | 8 | GU92201226 | 34.42 | 7 |
| GU27037521 | 34.38 | 4 | GU32555210 | 33.11 | 4 | GU92201822 | 34.40 | 7 |
| GU27061585 | 34.37 | 3 | GU32555211 | 33.11 | 5 | GU92201822 | 34.42 | 12 |
| GU27061885 | 34.37 | 17 | GU32602860 | 33.18 | 9 | GU92204217 | 33.25 | 5 |
| GU27062060 | 34.37 | 6 | GU32603010 | 33.18 | 16 | GU92204218 | 33.25 | 3 |
| GU27065660 | 34.37 | 7 | GU32603310 | 33.18 | 7 | GU92204221 | 33.24 | 7 |
| GU27066460 | 34.37 | 9 | GU32613160 | 33.24 | 2 | GU92249220 | 34.10 | 32 |
| GU27066560 | 34.37 | 8 | GU32615660 | 33.24 | 14 | GU92249225 | 33.07 | 2 |
| GU27152885 | 34.34 | 22 | GU32632510 | 33.25 | 17 | GU92249227 | 34.10 | 20 |
| GU27153085 | 34.39 | 14 | GU32633360 | 33.25 | 14 | GU92252210 | 34.39 | 2 |
| GU27633910 | 33.25 | 4 | GU32633560 | 34.10 | 11 | GU92252235 | 34.10 | 5 |
| GU28612033 | 33.25 | 18 | GU32634160 | 33.27 | 5 | GU92296723 | 34.39 | 6 |
| GU29729461 | 33.31 | 2 | GU32636160 | 33.25 | 21 | GU92602406 | 34.38 | 9 |
| GU29759150 | 33.18 | 17 | GU32692260 | 33.25 | 2 | GU92602510 | 34.39 | 19 |
| GU30577800 | 33.29 | 13 | GU32735510 | 33.32 | 5 | GU92603010 | 34.36 | 11 |
| GU30577800 | 34.47 | 17 | GU32747910 | 33.31 | 9 | GU92606206 | 33.17 | 6 |
| GU30601060 | 33.18 | 13 | GU32753410 | 33.28 | 3 | GU92606208 | 34.34 | 7 |
| GU30602500 | 33.18 | 22 | GU32753410 | 33.29 | 8 | GU92606210 | 33.01 | 9 |
| GU31003766 | 34.10 | 8 | GU32782510 | 33.32 | 2 | GU92606210 | 33.02 | 5 |
| GU31003766 | 34.34 | 14 | GU32999010 | 34.34 | 25 | GU92606210 | 33.11 | 7 |
| GU31016050 | 34.39 | 20 | GU32999510 | 34.34 | 24 | GU92606210 | 34.09 | 18 |
| GU31037015 | 34.38 | 13 | GU35214300 | 34.09 | 13 | GU92606316 | 33.25 | 16 |
| GU31038015 | 34.38 | 5 | GU49609601 | 33.30 | 19 | GU92606508 | 34.41 | 21 |
| GU31045015 | 34.38 | 26 | GU49609601 | 33.31 | 19 | GU92609007 | 33.26 | 12 |
| GU31112965 | 33.22 | 26 | GU61027200 | 34.37 | 12 | GU92630108 | 33.15 | 8 |
| GU31121880 | 33.23 | 9 | GU61036801 | 34.36 | 3 | GU92630206 | 33.26 | 6 |
| GU31150950 | 34.39 | 26 | GU61038100 | 34.38 | 6 | GU92630207 | 33.24 | 18 |
| GU31159050 | 34.39 | 15 | GU61054900 | 34.38 | 18 | GU92630510 | 33.01 | 3 |
| GU31327783 | 34.09 | 2 | GU61270300 | 34.10 | 26 | GU92630707 | 33.06 | 5 |
| GU31439565 | 33.13 | 4 | GU61270300 | 34.34 | 6 | GU92640508 | 33.23 | 19 |
| GU31513480 | 33.08 | 20 | GU61270300 | 34.36 | 21 | GU92660021 | 33.26 | 7 |
| GU31544181 | 33.27 | 3 | GU66103415 | 33.01 | 14 | GU92787006 | 33.28 | 6 |
| GU31544181 | 34.09 | 15 | GU90271014 | 34.44 | 2 | GU92787006 | 33.29 | 11 |
| GU31547882 | 34.09 | 14 | GU90271018 | 34.38 | 12 | GU93180105 | 34.09 | 21 |
| GU31614183 | 33.24 | 9 | GU90271022 | 34.44 | 15 | GU93180111 | 33.24 | 13 |
| GU31615283 | 33.24 | 6 | GU90272023 | 34.09 | 4 | GU93180245 | 34.36 | 22 |
| GU31616384 | 33.24 | 12 | GU90272075 | 34.40 | 21 | GU93222023 | 33.17 | 4 |
| GU31634281 | 33.27 | 2 | GU90353009 | 34.36 | 4 | GU93231605 | 33.29 | 14 |
| GU31634481 | 33.25 | 15 | GU90353014 | 34.44 | 10 | GU93231605 | 34.47 | 16 |
| GU31659181 | 33.27 | 9 | GU90353029 | 34.38 | 24 | GU93301175 | 33.23 | 26 |
| GU31659281 | 33.27 | 8 | GU90353030 | 34.10 | 17 | GU93450105 | 33.28 | 9 |
| GU31740383 | 33.28 | 11 | GU90401424 | 34.42 | 14 | GU93450126 | 33.28 | 15 |
| GU32032310 | 34.38 | 11 | GU90402538 | 33.25 | 6 | GU93450126 | 33.29 | 7 |
| GU32053410 | 34.38 | 16 | GU90402642 | 33.24 | 8 | GU93450224 | 33.29 | 3 |
| GU32054510 | 34.38 | 17 | GU90403251 | 34.10 | 38 | GU93450232 | 33.28 | 10 |
| GU32067910 | 34.40 | 19 | GU90403549 | 34.10 | 3 | GU94321079 | 34.39 | 24 |
| GU32080310 | 34.40 | 23 | GU90407591 | 34.10 | 15 | GU94321099 | 34.09 | 6 |
| GU32084410 | 34.40 | 20 | GU90412541 | 34.42 | 13 | GU94321105 | 34.41 | 23 |
| GU32115010 | 34.47 | 3 | GU90706076 | 34.34 | 9 | GU95005306 | 33.17 | 3 |
| GU32115011 | 34.47 | 8 | GU90706111 | 34.39 | 22 | GU95005308 | 33.26 | 9 |
| GU32115510 | 34.47 | 7 | GU90706141 | 33.30 | 17 | GU95005308 | 33.28 | 23 |
| GU32121010 | 33.23 | 7 | GU90706170 | 34.41 | 19 | GU95005308 | 34.09 | 22 |
| GU32350410 | 34.10 | 13 | GU90706188 | 34.10 | 29 | GU95005310 | 33.15 | 7 |
| GU32351410 | 34.10 | 16 | GU90706203 | 34.10 | 7 | GU95005310 | 33.26 | 5 |



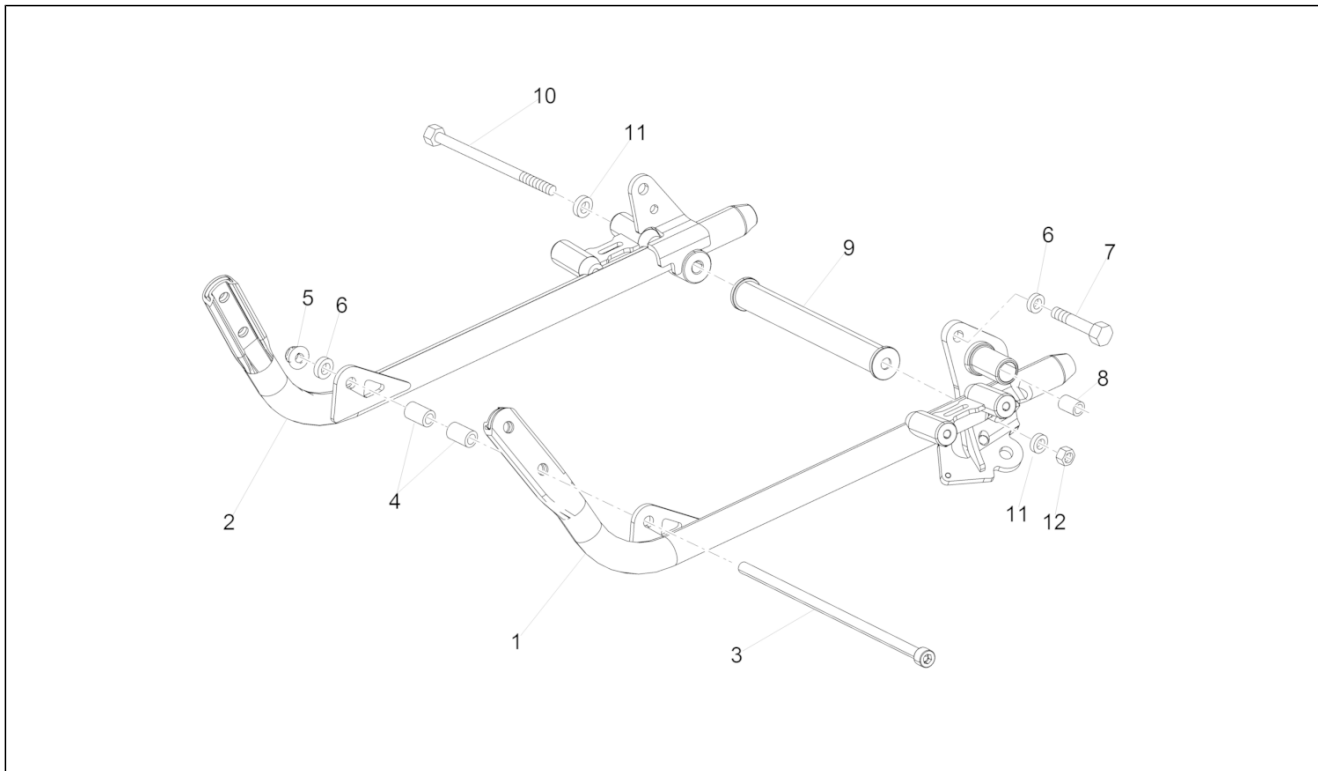
| Code | N.Tafel | Pos. | Code | N.Tafel | Pos. |
|------------|---------|------|------------|---------|------|
| GU95008205 | 33.30 | 16 | GU98682414 | 33.01 | 15 |
| GU95008206 | 34.39 | 23 | GU98682416 | 33.04 | 12 |
| GU95008208 | 33.01 | 6 | GU98682416 | 33.05 | 14 |
| GU95008208 | 34.46 | 3 | GU98682416 | 33.32 | 7 |
| GU95008210 | 33.01 | 8 | GU98682430 | 33.12 | 9 |
| GU95008210 | 33.02 | 6 | GU98682435 | 34.46 | 2 |
| GU95008210 | 33.31 | 4 | GU98682530 | 33.01 | 2 |
| GU95008210 | 34.09 | 17 | GU98690335 | 33.11 | 8 |
| GU95008305 | 33.18 | 20 | GU98690335 | 33.18 | 8 |
| GU95008306 | 34.40 | 18 | GU98690435 | 33.15 | 5 |
| GU95020105 | 33.03 | 10 | GU98690440 | 33.23 | 17 |
| GU95021104 | 33.19 | 2 | GU98692325 | 34.36 | 16 |
| GU95021105 | 33.18 | 21 | GU98692414 | 33.17 | 11 |
| GU95021206 | 33.17 | 5 | GU98692420 | 33.28 | 22 |
| GU95021206 | 33.28 | 8 | GU98880540 | 33.28 | 21 |
| GU95021206 | 33.29 | 10 | GU98882316 | 34.38 | 21 |
| GU95100059 | 33.31 | 13 | | | |
| GU95100116 | 34.47 | 12 | | | |
| GU95100125 | 34.45 | 11 | | | |
| GU95100244 | 34.38 | 29 | | | |
| GU95100309 | 34.39 | 27 | | | |
| GU95100602 | 34.39 | 25 | | | |
| GU95100709 | 34.34 | 21 | | | |
| GU95129115 | 34.38 | 22 | | | |
| GU95129180 | 34.34 | 27 | | | |
| GU95129180 | 34.36 | 13 | | | |
| GU95129181 | 33.11 | 6 | | | |
| GU95129260 | 33.06 | 3 | | | |
| GU95187006 | 34.39 | 13 | | | |
| GU95500221 | 33.26 | 10 | | | |
| GU95500222 | 34.41 | 22 | | | |
| GU96451430 | 34.34 | 3 | | | |
| GU96451560 | 34.34 | 2 | | | |
| GU96506042 | 34.36 | 5 | | | |
| GU96508055 | 34.10 | 12 | | | |
| GU96508055 | 34.34 | 4 | | | |
| GU96510181 | 34.36 | 15 | | | |
| GU96510214 | 34.36 | 14 | | | |
| GU97202325 | 33.18 | 12 | | | |
| GU98054422 | 34.38 | 28 | | | |
| GU98082565 | 33.02 | 7 | | | |
| GU98084314 | 34.39 | 12 | | | |
| GU98110199 | 33.01 | 7 | | | |
| GU98210612 | 33.23 | 27 | | | |
| GU98230510 | 33.16 | 4 | | | |
| GU98230510 | 33.18 | 19 | | | |
| GU98350215 | 33.29 | 12 | | | |
| GU98350416 | 33.01 | 5 | | | |
| GU98370515 | 34.47 | 18 | | | |
| GU98370609 | 33.17 | 2 | | | |
| GU98370625 | 33.14 | 4 | | | |
| GU98370625 | 33.26 | 17 | | | |
| GU98370655 | 33.28 | 7 | | | |
| GU98370655 | 33.29 | 9 | | | |
| GU98370845 | 33.13 | 3 | | | |
| GU98612216 | 33.03 | 9 | | | |
| GU98612216 | 33.25 | 19 | | | |
| GU98622322 | 34.47 | 9 | | | |
| GU98632322 | 33.06 | 6 | | | |
| GU98680545 | 34.09 | 16 | | | |
| GU98682212 | 33.30 | 15 | | | |
| GU98682212 | 33.31 | 12 | | | |
| GU98682212 | 34.45 | 5 | | | |
| GU98682312 | 33.25 | 20 | | | |
| GU98682325 | 34.34 | 11 | | | |
| GU98682325 | 34.35 | 3 | | | |
| GU98682330 | 34.35 | 4 | | | |

| | |
|---------------------|---------|
| Groep | FRAME |
| Code | 33.01 |
| Beschrijving | Frame I |
| Revisie | 1 |



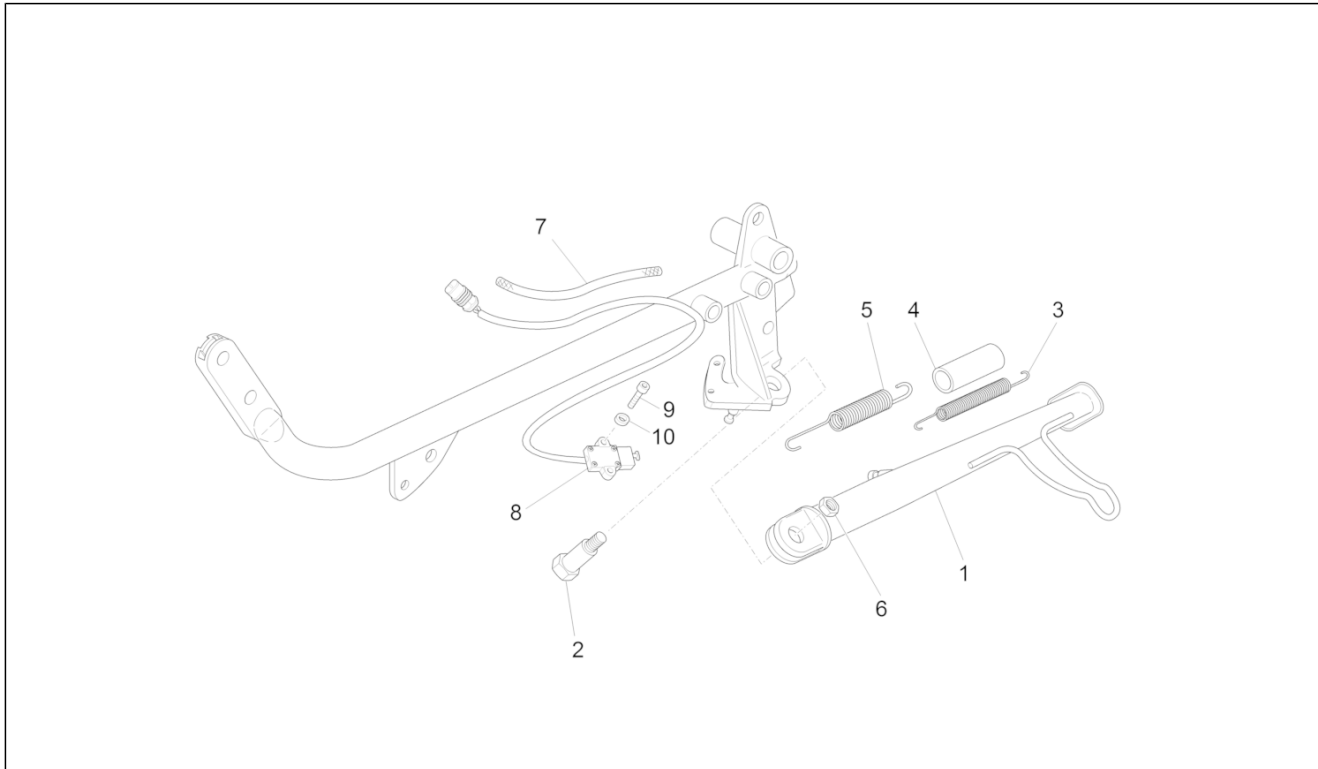
| Pos. | Code | Beschrijving | Aant. | Varianten |
|------|------------|---------------------------------|-------|-----------|
| 1 | 2B000975 | Frame v.zwart | 1 | |
| 2 | GU98682530 | Binnenzeskantbout M10x30 | 4 | |
| 3 | GU92630510 | Moer M10x1,5 | 4 | |
| 4 | B063287 | Verbindingsplaat frame | 1 | |
| 5 | GU98350416 | Bolbout met binnenzeskant M8x16 | 4 | |
| 6 | GU95008208 | Sluitring 8,4X15X1,5 | 4 | |
| 7 | GU98110199 | Pin M10x205 | 1 | |
| 8 | GU95008210 | Sluitring 10,2X18X2 | 11 | |
| 9 | GU92606210 | Moer M10x1,5 | 3 | |
| 10 | 2B001035 | Pin 234X10 | 2 | |
| 11 | GU32457810 | Bescherming | 2 | |
| 12 | 978951 | Handgreep re | 1 | |
| 13 | AP8120311 | Rubbetje * | 2 | |
| 14 | GU66103415 | Rubbetje | 2 | |
| 15 | GU98682414 | Binnenzeskantbout | 2 | |
| 16 | 978952 | Handgreep li | 1 | |

| | |
|---------------------|----------|
| Groep | FRAME |
| Code | 33.02 |
| Beschrijving | Frame II |
| Revisie | 1 |



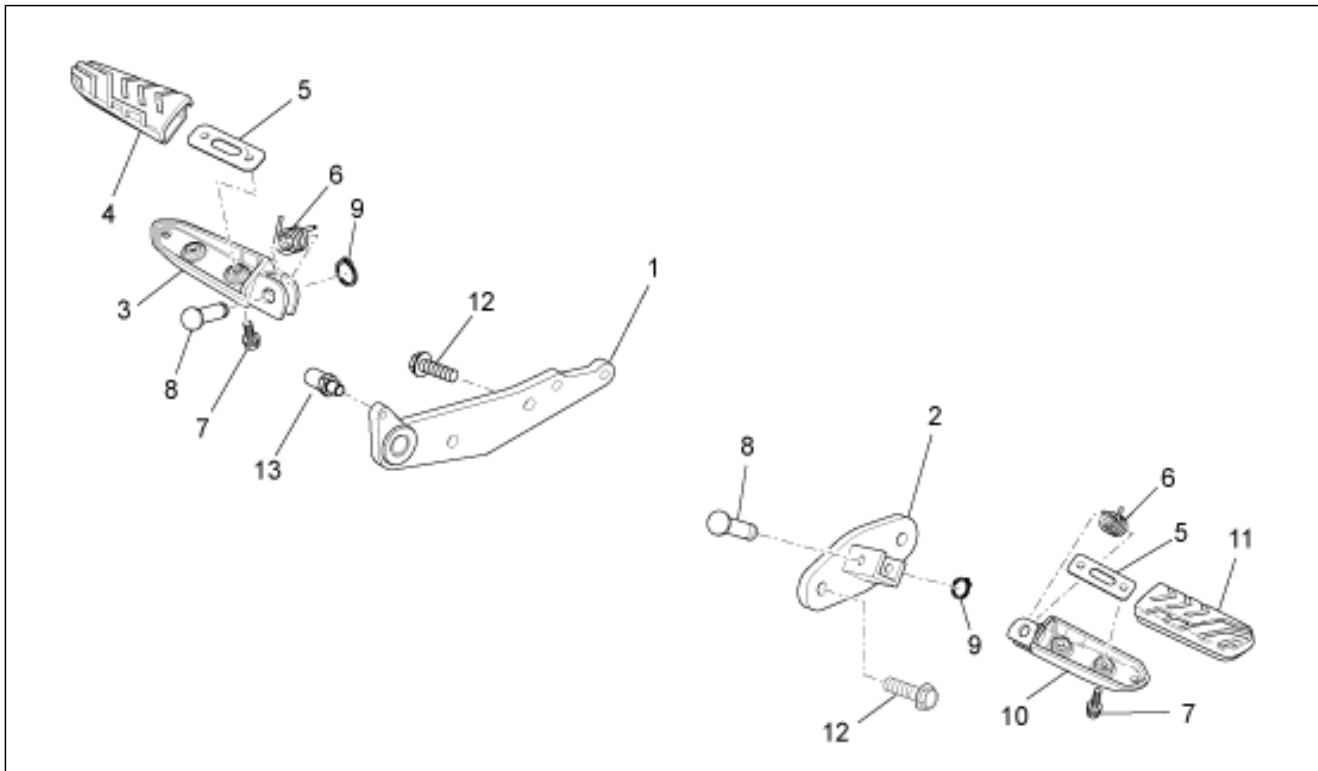
| Pos. | Code | Beschrijving | Aant. | Varianten |
|------|------------|---------------------|-------|-----------|
| 1 | 2B000980 | Braccio culla SX | 1 | |
| 2 | 2B000988 | Braccio culla DX | 1 | |
| 3 | 2B001612 | Pin M10X199 | 1 | |
| 4 | GU19017000 | Beslagring | 2 | |
| 5 | GU92606210 | Moer M10x1,5 | 3 | |
| 6 | GU95008210 | Sluitring 10,2X18X2 | 3 | |
| 7 | GU98082565 | Bout M10x65 | 2 | |
| 8 | 2B001008 | Huls | 1 | |
| 9 | 2B001004 | Dwarsbalkje | 1 | |
| 10 | 2B001230 | Pin 278X10 | 1 | |
| 11 | AP8152220 | Gekart. sluitring | 2 | |
| 12 | AP8150436 | Zelfborg. moer laag | 1 | |

| | |
|---------------------|---------------|
| Groep | FRAME |
| Code | 33.03 |
| Beschrijving | Lateral stand |
| Revisie | 1 |



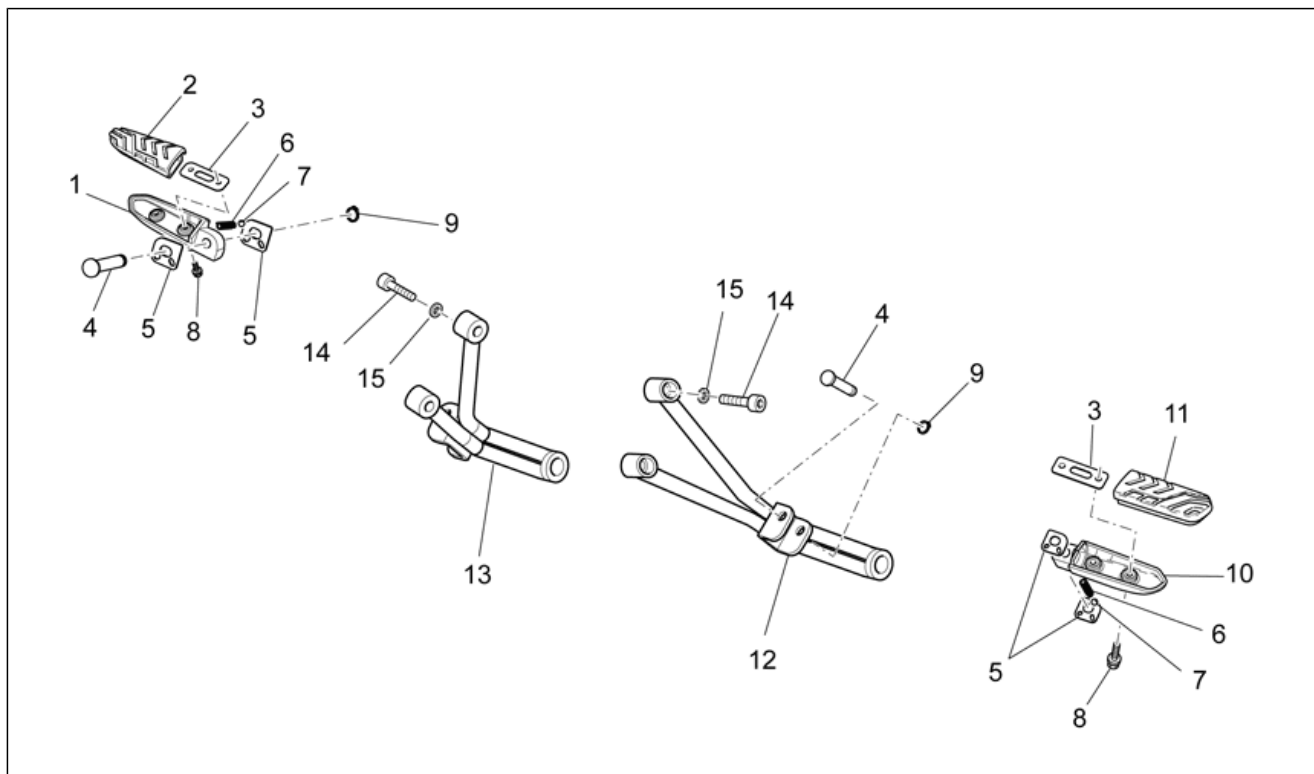
| Pos. | Code | Beschrijving | Aant. | Varianten |
|------|---------------|-----------------------------|-------|-----------|
| 1 | 2B001033 | Laterale standaard | 1 | |
| 2 | AP8121375 | Bout standaard | 1 | |
| 3 | AP8121014 | Spiraalveer cilind.aandr. * | 1 | |
| 4 | AP8102524 | Bescherming veer standaard | 1 | |
| 5 | AP8221197 | Trekveer standaard | 1 | |
| 6 | 967356 | Moer geflenst M10x1,25 | 1 | |
| 7 | GU00823923140 | Thermische gaine | 1 | |
| 8 | AP8127856 | Schakelaar standaard | 1 | |
| 9 | GU98612216 | Binnenzeskantbout | 2 | |
| 10 | GU95020105 | Sluitring 5,3x8,9x2,4 | 2 | |

| | |
|---------------------|-----------------|
| Groep | FRAME |
| Code | 33.04 |
| Beschrijving | Front footrests |
| Revisie | 1 |



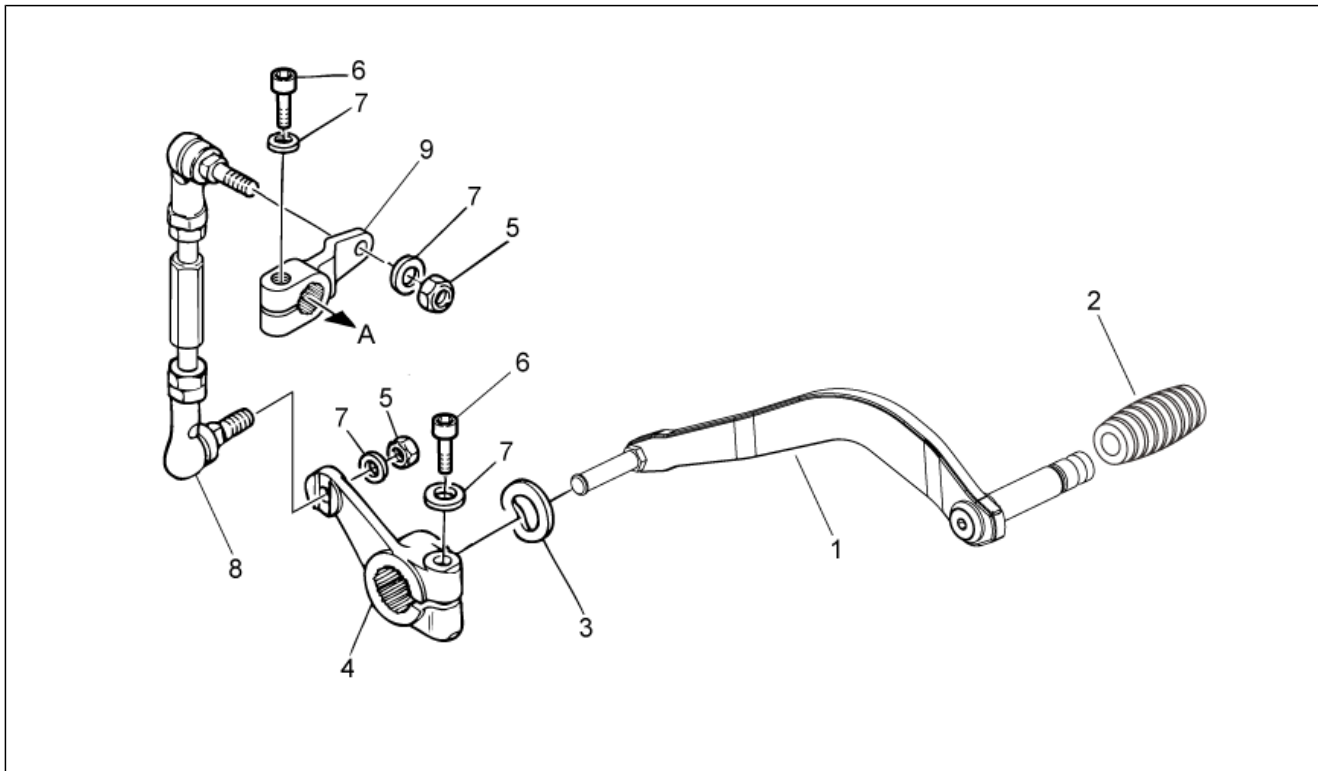
| Pos. | Code | Beschrijving | Aant. | Varianten |
|------|------------|----------------------------|-------|-----------|
| 1 | 883051 | Steun voetenst. re | 1 | |
| 2 | 883052 | Steun voetenst. li | 1 | |
| 3 | AP8145034 | Voetensteun bestuurder re | 1 | |
| 4 | GU32443210 | Rubber | 1 | |
| 5 | GU32441210 | Plaatje | 2 | |
| 6 | AP8221277 | Trekveer voetensteun | 2 | |
| 7 | AP8152277 | Zeskantbout geflenst M6x12 | 4 | |
| 8 | CM228401 | Pin voetensteun | 2 | |
| 9 | AP8120573 | Blokkeerring radiaal | 2 | |
| 10 | AP8145035 | Voetensteun bestuurder li | 1 | |
| 11 | GU32443211 | Rubber | 1 | |
| 12 | GU98682416 | Binnenzeskantbout M8x16 | 4 | |
| 13 | B063132 | Limit stop | 1 | |

| | |
|---------------------|----------------|
| Groep | FRAME |
| Code | 33.05 |
| Beschrijving | Rear footrests |
| Revisie | 1 |



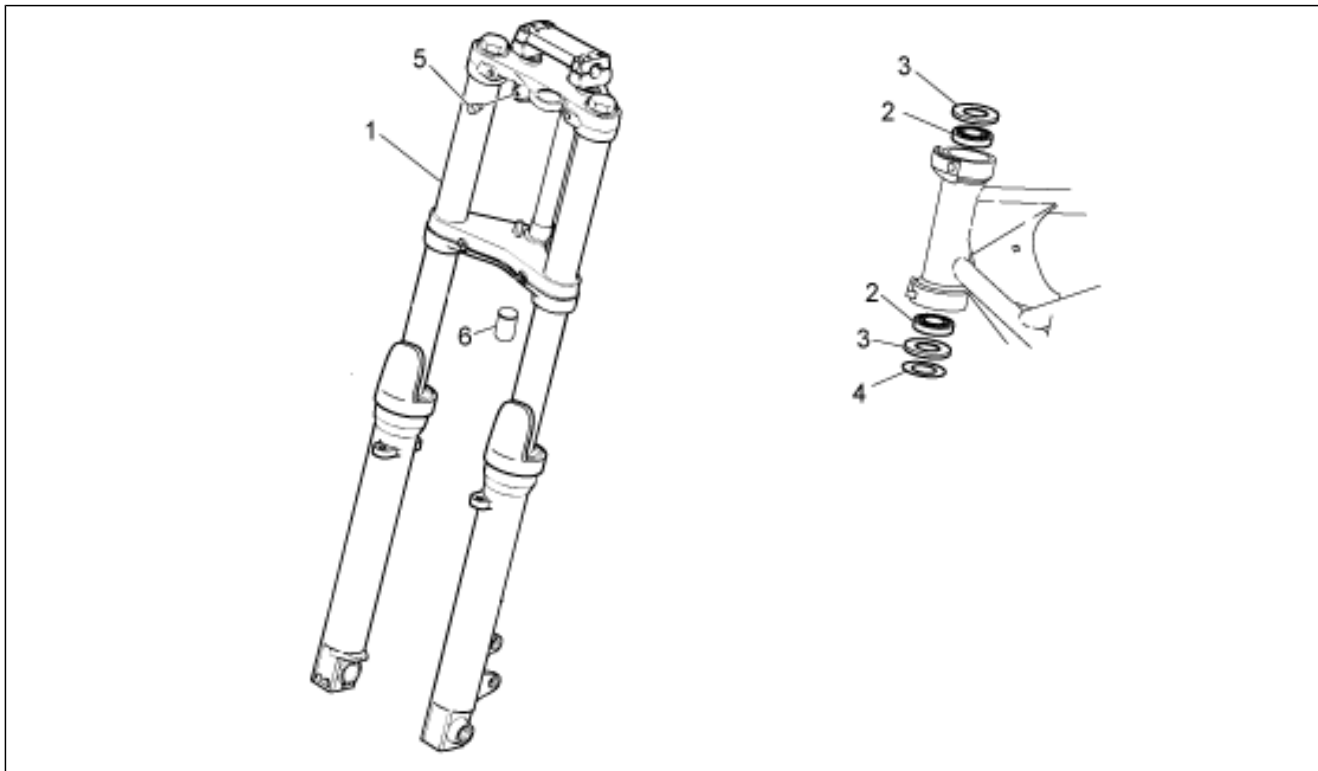
| Pos. | Code | Beschrijving | Aant. | Varianten |
|------|------------|--------------------------------------|-------|-----------|
| 1 | GU32442310 | Voetenst.pass. re | 1 | |
| 2 | GU32443210 | Rubber | 1 | |
| 3 | GU32441210 | Plaatje | 2 | |
| 4 | CM228401 | Pin voetensteun | 2 | |
| 5 | AP8134451 | Plaat eindeloop voetensteun | 4 | |
| 6 | AP8121133 | Spiraalveer cilind.compr. | 2 | |
| 7 | AP8101861 | Bol D6,35 | 2 | |
| 8 | AP8152277 | Zeskantbout geflenst M6x12 | 4 | |
| 9 | AP8120573 | Blokkeerring radiaal | 2 | |
| 10 | GU32442710 | Voetenst. pass.li | 1 | |
| 11 | GU32443211 | Rubber | 1 | |
| 12 | 2B000349 | Supporto pedane passeggero sx con Pi | 1 | |
| 13 | 2B000348 | Supporto pedane passeggero dx con Pi | 1 | |
| 14 | GU98682416 | Binnenzeskantbout M8x16 | 4 | |
| 15 | GU14615901 | Sluitring 8,4X13X0,8 | 4 | |

| | |
|---------------------|------------|
| Groep | FRAME |
| Code | 33.06 |
| Beschrijving | Gear lever |
| Revisie | 1 |



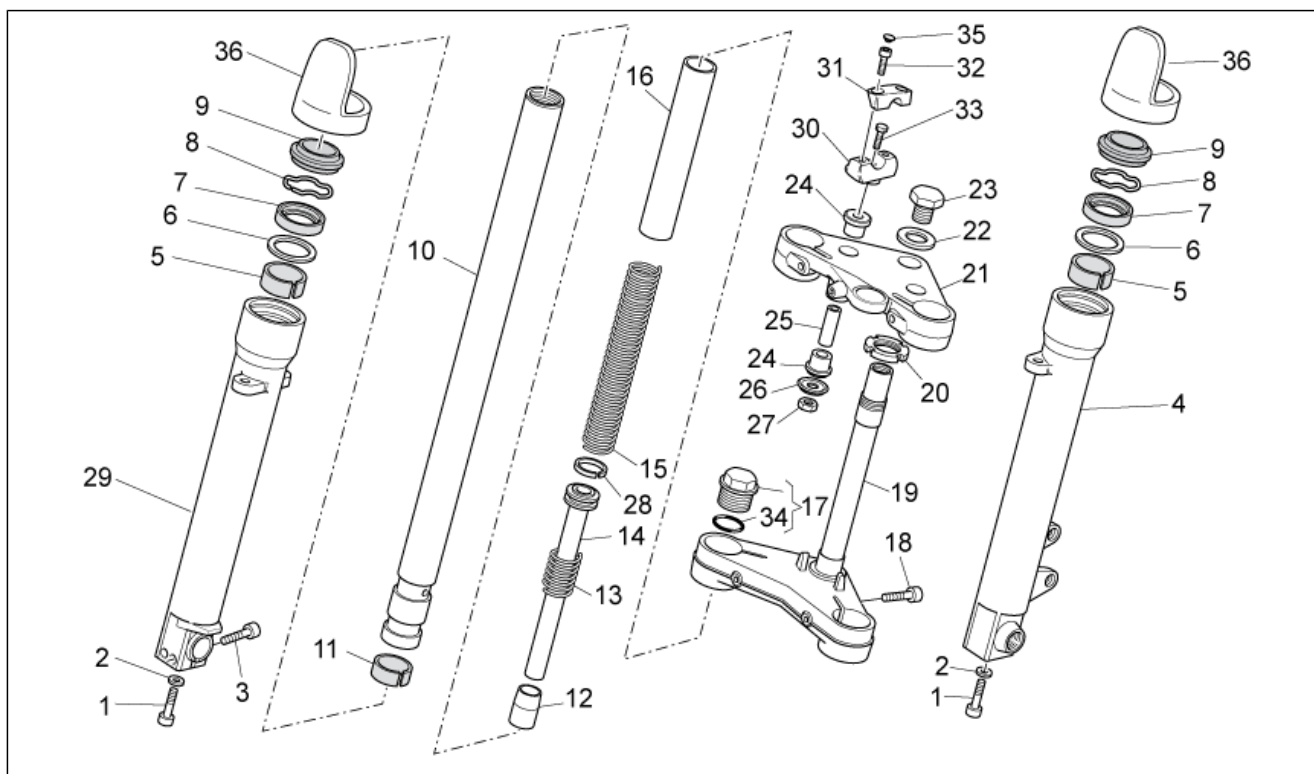
| Pos. | Code | Beschrijving | Aant. | Varianten |
|------|------------|----------------------------|-------|-----------|
| 1 | 2B001096 | Versnellingshendel | 1 | |
| 2 | AP8120912 | Rubbertje voor hendel | 1 | |
| 3 | GU95129260 | Elastische sluitring | 2 | |
| 4 | 898283 | Gear change lever | 1 | |
| 5 | GU92630707 | Moer | 2 | |
| 6 | GU98632322 | Bout | 2 | |
| 7 | GU03013800 | Sluitring 6,4x12 | 3 | |
| 8 | 2B001941 | Trekker commando versn.bak | 1 | |
| 9 | GU20258221 | Hendel voorschakelaar | 1 | |

| | |
|---------------------|--------------|
| Groep | FRAME |
| Code | 33.07 |
| Beschrijving | Front fork I |
| Revisie | 1 |



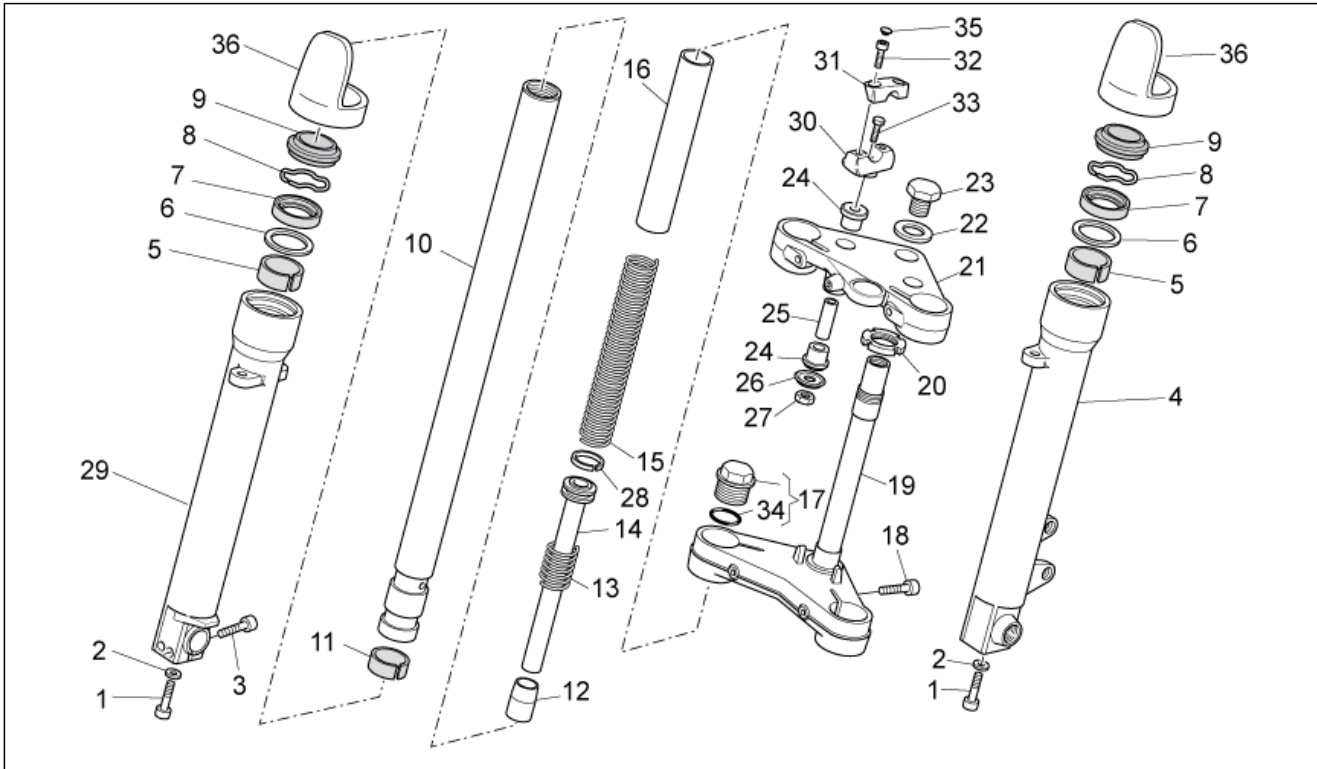
| Pos. | Code | Beschrijving | Aant. | Varianten |
|------|------------|---------------------|-------|-----------|
| 1 | 2B001427 | Voorvork cpl. | 1 | |
| 2 | GU92249225 | Conische kogellager | 2 | |
| 3 | AP8144146 | Dichtingsring | 1 | |
| 4 | AP8121307 | Sluitring | 1 | |
| 5 | AP8144081 | Rubbetje | 1 | |
| 6 | AP8220460 | Plaatje in rubber | 1 | |

| | |
|---------------------|---------------|
| Groep | FRAME |
| Code | 33.08 |
| Beschrijving | Front fork II |
| Revisie | 1 |



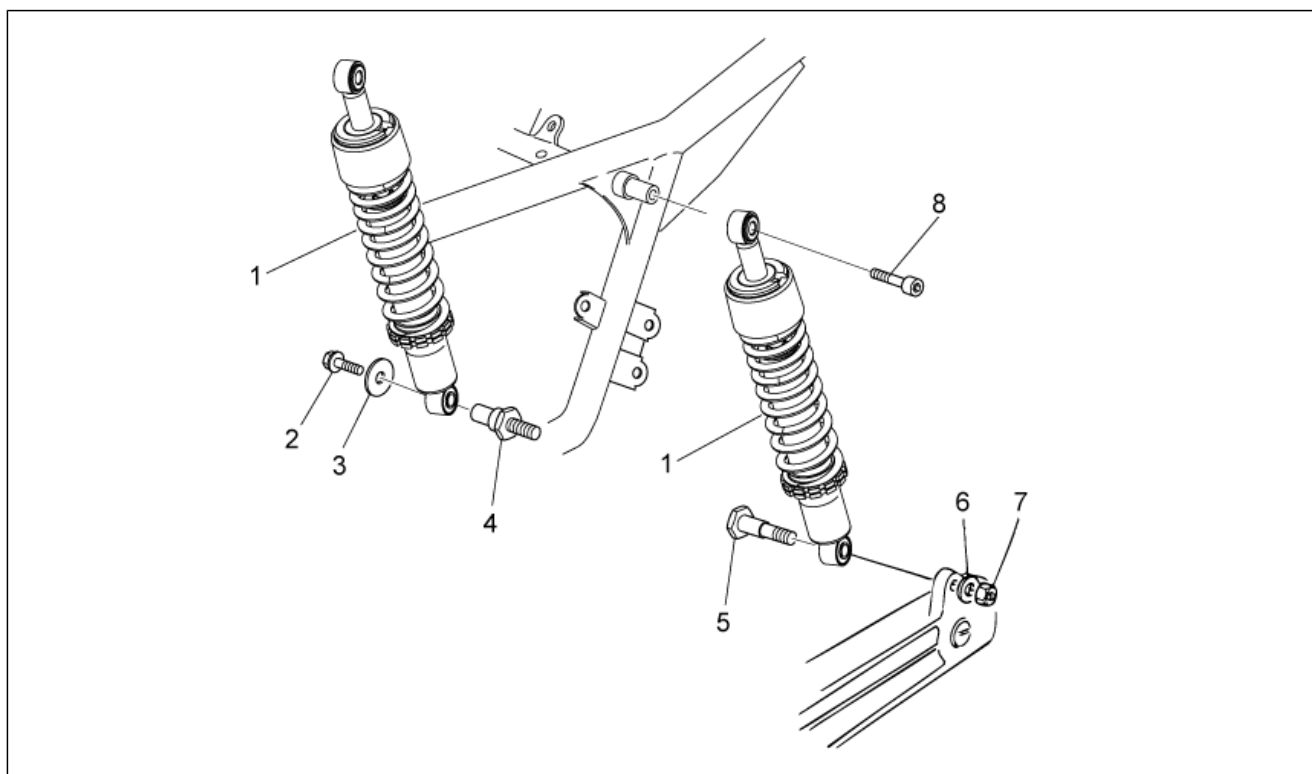
| Pos. | Code | Beschrijving | Aant. | Varianten |
|------|------------|--------------------|-------|-----------|
| 1 | 887878 | Bout M10x30 | 2 | |
| 2 | 887879 | Sluitring | 2 | |
| 3 | 887880 | Bout | 2 | |
| 4 | 2R000110 | Hulsel li | 1 | |
| 5 | 887882 | Huls bov. | 2 | |
| 6 | 887883 | Sluitring | 2 | |
| 7 | 887884 | Dichtingsring | 2 | |
| 8 | 887885 | Blokkeerring | 2 | |
| 9 | 887886 | Stofkeerring | 2 | |
| 10 | 2B001591 | Stang | 2 | |
| 11 | 887888 | Huls | 2 | |
| 12 | 887889 | Buffer | 2 | |
| 13 | 887890 | Tegenveer | 2 | |
| 14 | 887891 | Pompend deel cpl. | 2 | |
| 15 | 2R000243 | Veer | 2 | |
| 16 | 887893 | Buis | 2 | |
| 17 | 887894 | Dop cpl. | 2 | |
| 18 | 887895 | Bout | 2 | |
| 19 | 887896 | Basis met kop | 1 | |
| 20 | GU31513480 | Moer M25X1 | 1 | |
| 21 | 887898 | Plaat bov. | 1 | |
| 22 | 887899 | Sluitring | 1 | |
| 23 | 887900 | Moer | 1 | |
| 24 | 887901 | Rubbetje | 4 | |
| 25 | 887902 | Afstandhouder | 2 | |
| 26 | 887903 | Klepsteel keerring | 2 | |
| 27 | 887904 | Moer | 2 | |
| 28 | 887905 | Segment | 2 | |

| | |
|---------------------|---------------|
| Groep | FRAME |
| Code | 33.08 |
| Beschrijving | Front fork II |
| Revisie | 1 |



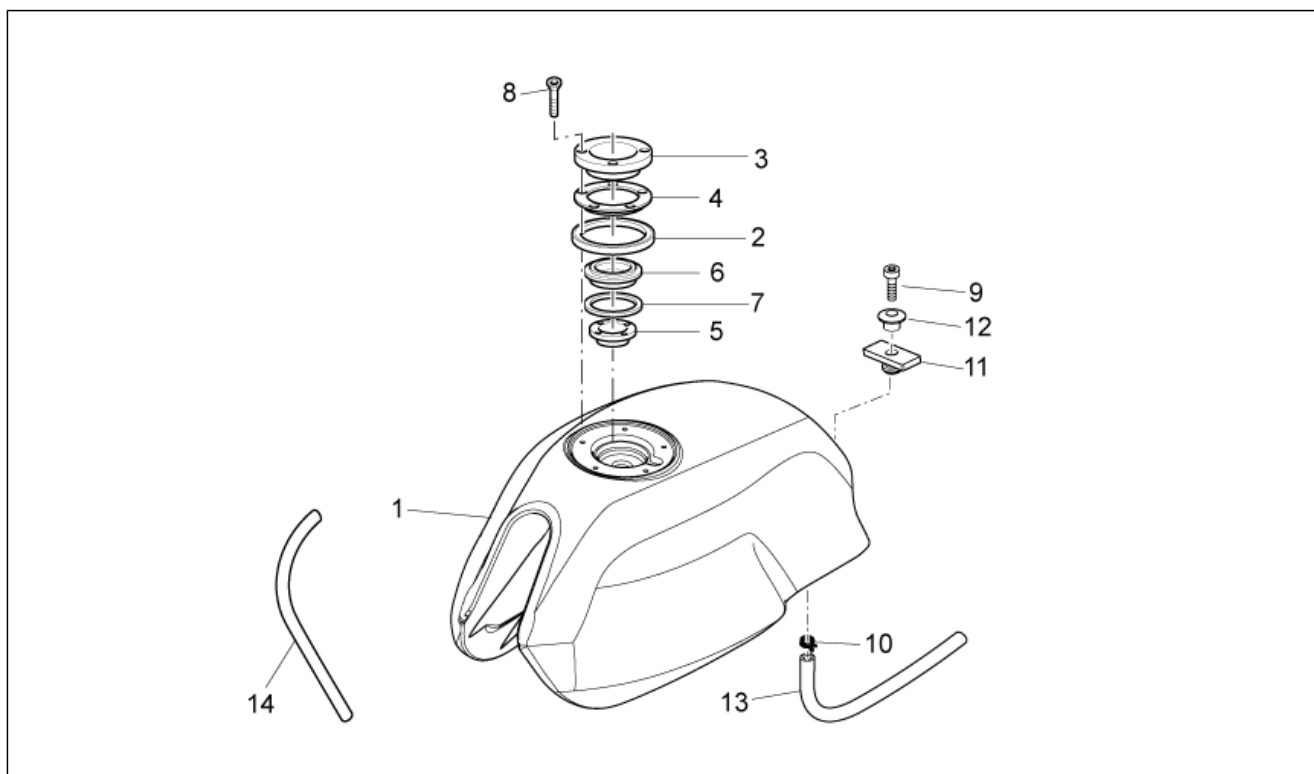
| Pos. | Code | Beschrijving | Aant. | Varianten |
|------|------------|-------------------|-------|-----------|
| 29 | 2R000109 | Hulsel re | 1 | |
| 30 | 887912 | Beugel ond. | 2 | |
| 31 | 887913 | Standaard bov. | 2 | |
| 32 | 887914 | Bout M8x30 | 4 | |
| 33 | 887915 | Bout M10x60 | 2 | |
| 34 | 887916 | OR-ring 4118 | 2 | |
| 35 | GU23943410 | Dop verchr. | 4 | |
| 36 | 887917 | Bescherming stang | 2 | |

| | |
|---------------------|---------------------|
| Groep | FRAME |
| Code | 33.11 |
| Beschrijving | Rear shock absorber |
| Revisie | 1 |



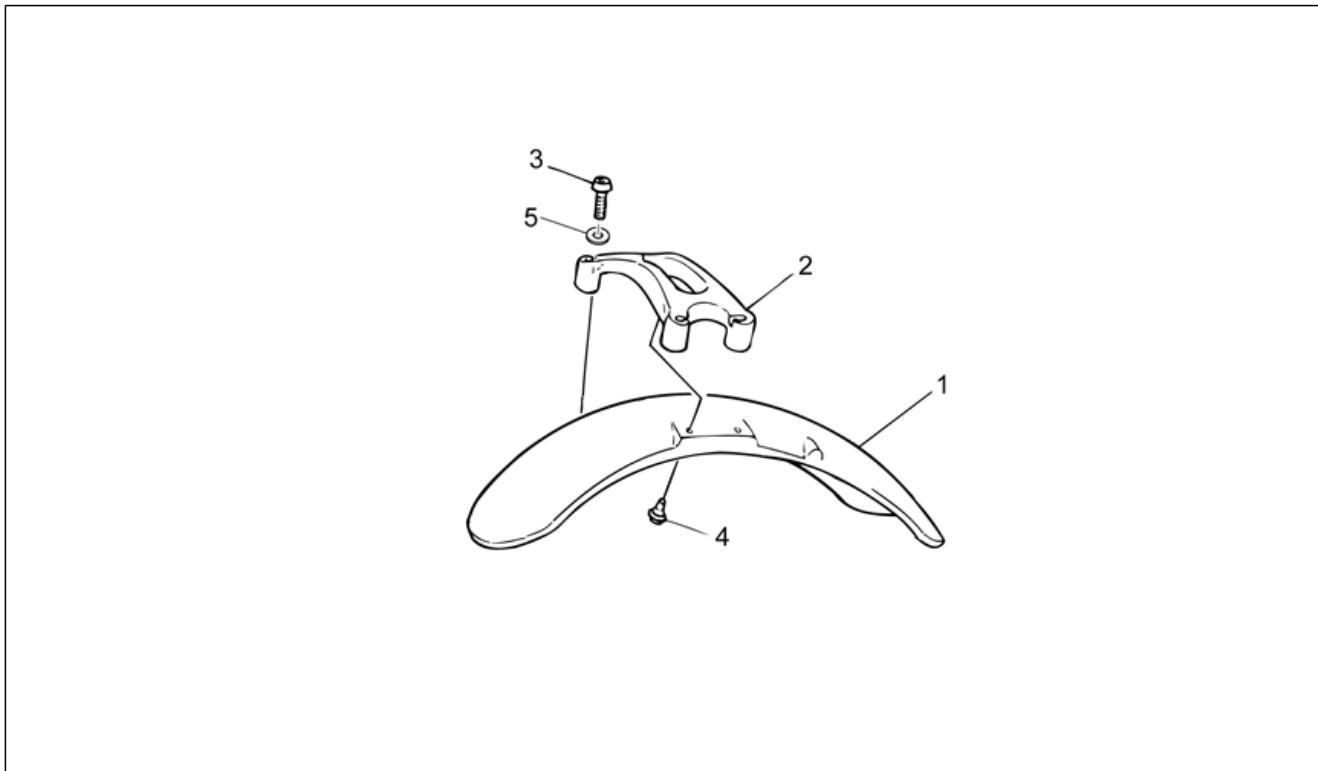
| Pos. | Code | Beschrijving | Aant. | Varianten |
|------|------------|----------------------------|-------|--|
| 1 | 884035 | Schokdemper acht. | 2 | |
| 1 | B063749 | Schokdemper acht. | 2 | Technische specificaties: Olle Amortidors SL[O] |
| 2 | AP8152278 | Zeskantbout geflenst M6x16 | 1 | |
| 3 | 898164 | Afstandhouder schokdemper | 1 | |
| 4 | GU32555210 | Pin | 1 | |
| 5 | GU32555211 | Pin | 1 | |
| 6 | GU95129181 | Sluitring gegolfd | 1 | |
| 7 | GU92606210 | Moer M10x1,5 | 1 | |
| 8 | GU98690335 | Binnenzeskantbout | 2 | |

| | |
|---------------------|-----------|
| Groep | FRAME |
| Code | 33.12 |
| Beschrijving | Fuel tank |
| Revisie | 1 |



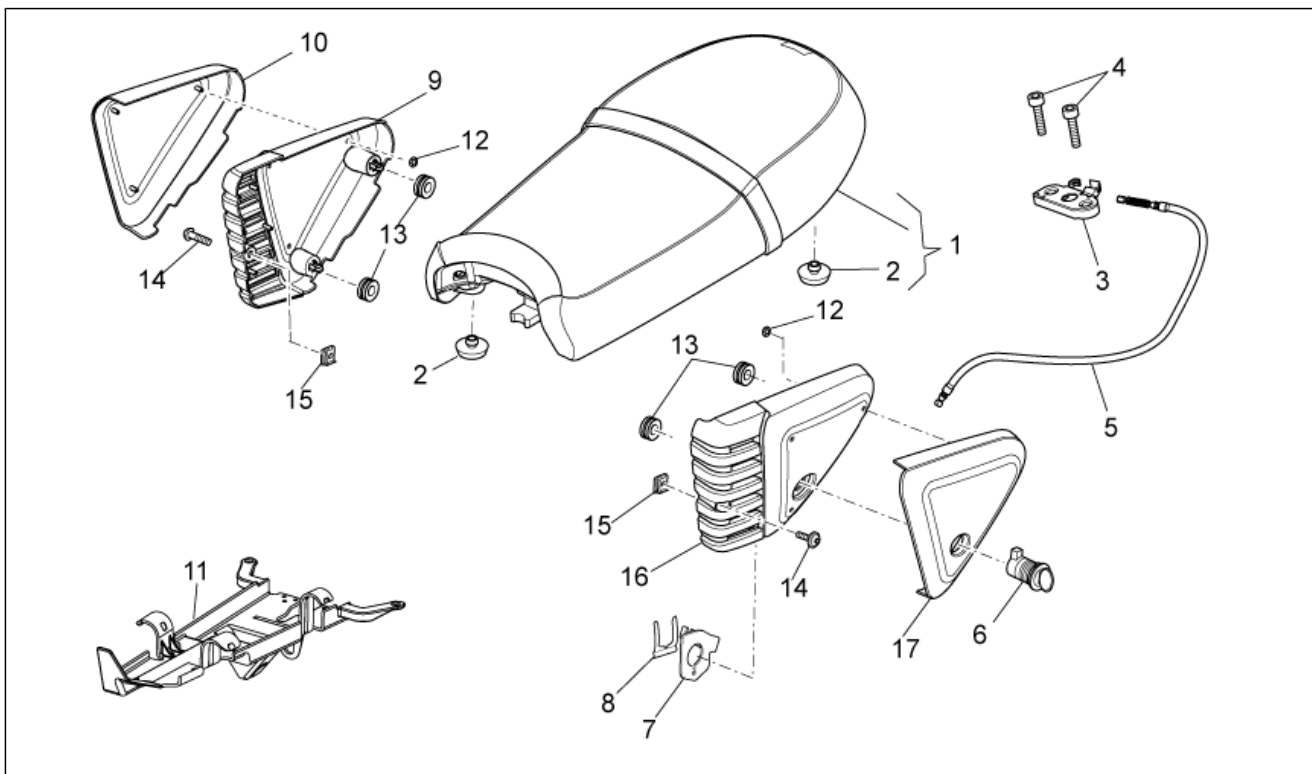
| Pos. | Code | Beschrijving | Aant. | Varianten |
|------|----------------|-------------------------|-------|---|
| 1 | 2H000019000XN2 | Benzinetank v.zwart | 1 | Kleur van het voertuig: Zwart Competition[nc] Technische specificaties: Met decalco[D] |
| 1 | 2H000663000YA4 | Benzinetank v.azuurbl. | 1 | Kleur van het voertuig: Azzurro Vieste[az] Technische specificaties: Met decalco[D] |
| 1 | 2H000663000YR6 | Benzinetank v.rood | 1 | Kleur van het voertuig: Rosso Daytona[rd] Technische specificaties: Met decalco[D] |
| 1 | 887207 | Tank ruwe benzine | 1 | Kleur van het voertuig: Onbewerkt[gr] |
| 2 | GU03102400 | Pakking flens | 1 | |
| 3 | GU03101900 | Flens | 1 | |
| 4 | GU03103500 | Ring | 1 | |
| 5 | GU03101720 | Reductie 38 mm | 1 | |
| 6 | GU03102200 | Moer dop | 1 | |
| 7 | GU03101600 | Pakking | 2 | |
| 8 | GU03103200 | Bout | 5 | |
| 9 | GU98682430 | Binnenzeskantbout M8x30 | 1 | |
| 10 | AP8101595 | Klemmetje D10,1 | 1 | |
| 11 | AP8120557 | Rubbetje tank | 1 | |
| 12 | AP8121673 | 'T'-vormige huls * | 1 | |
| 13 | GU00823944050 | Buis 5X9 | 1 | |
| 14 | 2B000909 | Pakking | 1 | |

| | |
|---------------------|-----------------------------|
| Groep | FRAME |
| Code | 33.13 |
| Beschrijving | Front body - Front mudguard |
| Revisie | 1 |



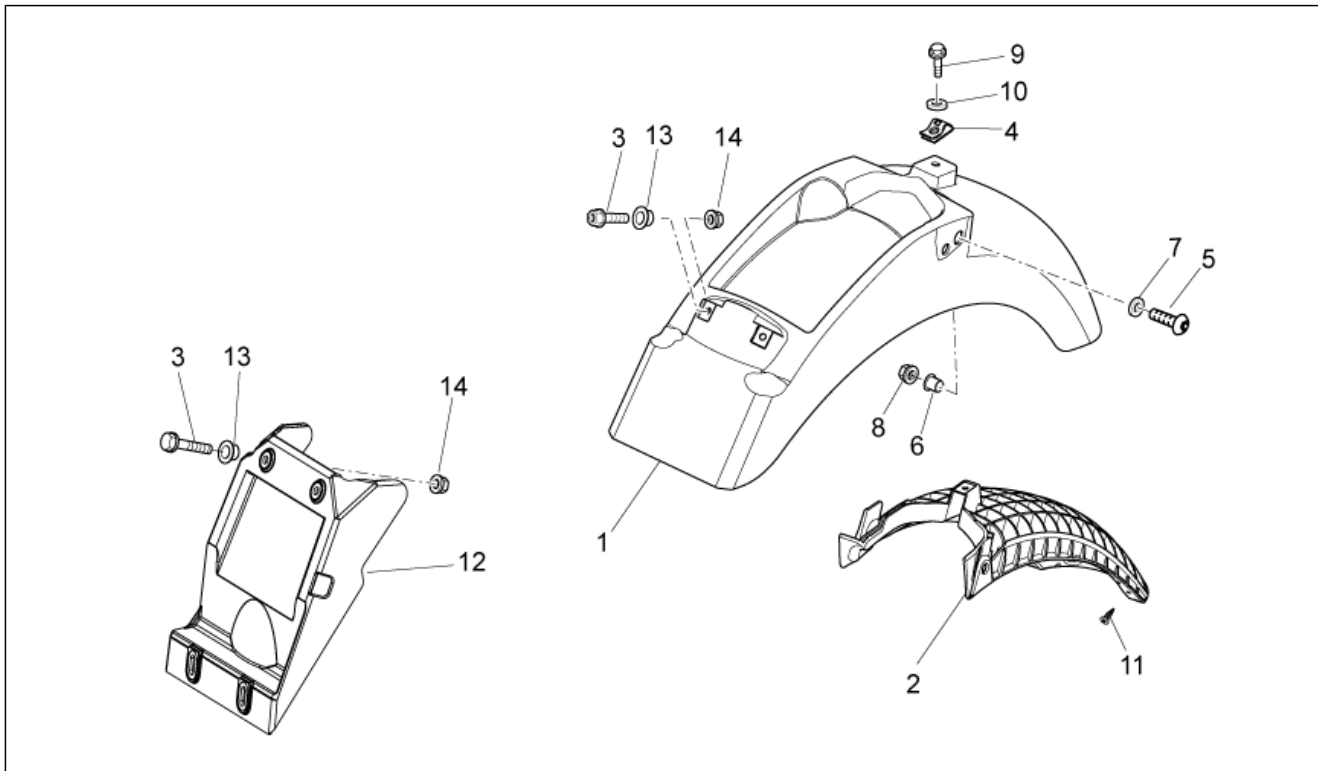
| Pos. | Code | Beschrijving | Aant. | Varianten |
|------|-------------|---------------------------|-------|--|
| 1 | 88635200XN2 | Spatbord voor.v.zwart | 1 | Kleur van het voertuig: Azzurro Vieste[az], Zwart Competition[nc], Rosso Daytona[rd] Technische specificaties: Met decalco[D] |
| 1 | GU32434460 | Spatbord voor.ruw | 1 | Kleur van het voertuig: Onbewerkt[gr] |
| 2 | 883266 | Stabiliseerplaat | 1 | |
| 3 | GU98370845 | Bolbout met binnenzeskant | 4 | |
| 4 | GU31439565 | Speciale bout | 4 | |
| 5 | GU14615901 | Sluitring 8,4X13X0,8 | 4 | |

| | |
|---------------------|--------------------|
| Groep | FRAME |
| Code | 33.14 |
| Beschrijving | Saddle-Central bod |
| Revisie | 1 |



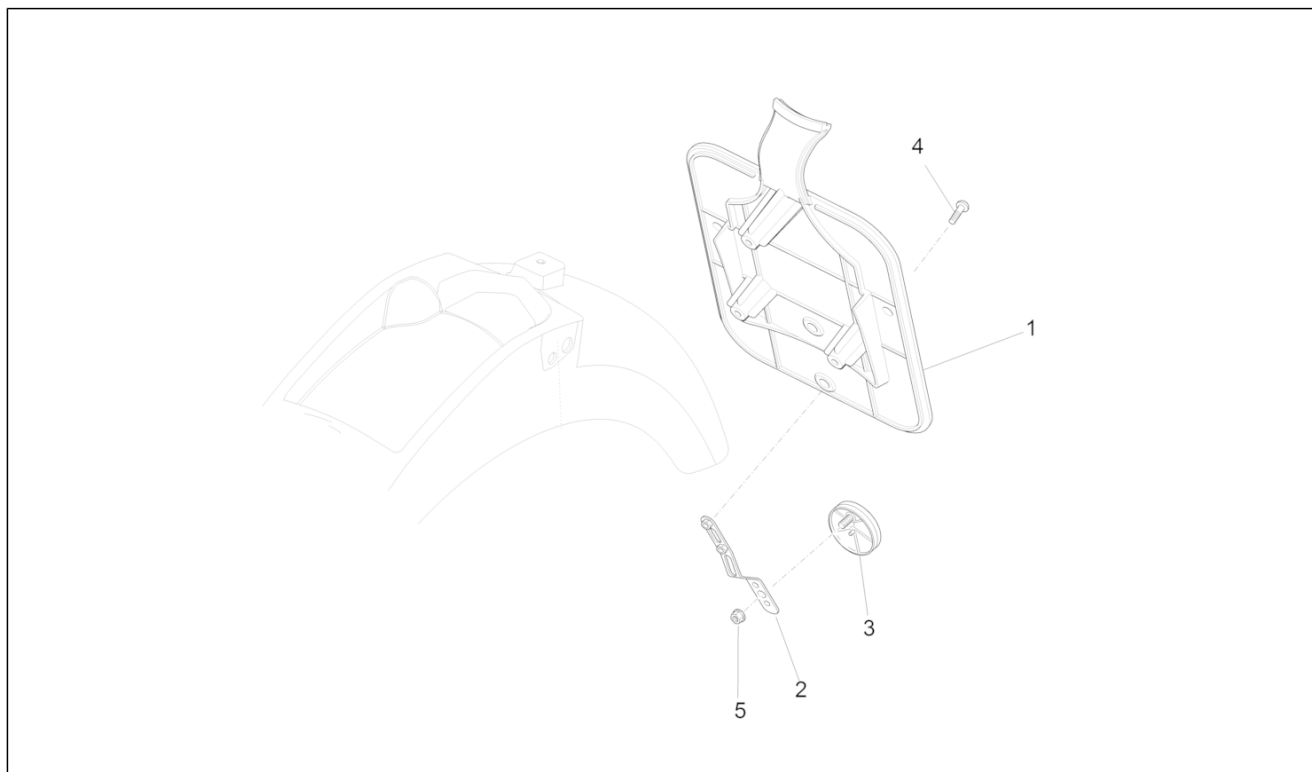
| Pos. | Code | Beschrijving | Aant. | Varianten |
|------|----------------|--|-------|--|
| 1 | 88793900A1 | Tweepersoonszadel | 1 | |
| 2 | GU32461610 | Rubbetje | 8 | |
| 3 | AP8102913 | Koppelingsplaat zadel pass. | 1 | |
| 4 | GU98370625 | Bolbout met binnenzeskant | 2 | |
| 5 | 883295 | Kabel slot zadel | 1 | |
| 6 | 977527 | Slot compleet met sleutels | 1 | |
| 7 | AP8121420 | Vorkveer | 1 | |
| 8 | 978415 | Plaatje steun kabel | 1 | |
| 9 | 2B000878 | Zijplaatje re | 1 | |
| 10 | 2H000728000XN2 | Zijplaatje re v.zwart | 1 | Kleur van het voertuig: Azzurro Vieste[az], Zwart Competition[nc], Rosso Daytona[rd] Technische specificaties: Met decalco[D] |
| 10 | 978940 | Zijplaatje re ruw | 1 | Kleur van het voertuig: Onbewerkt[gr] |
| 11 | B063431 | Wand | 1 | |
| 12 | AP8150450 | Sluitring voor assen D5 | 1 | |
| 13 | GU91551086 | Rubbetje | 4 | |
| 14 | AP8152339 | Bolbout met binnenzeskant, geflenst M5x9 | 2 | |
| 15 | AP8102375 | Clip m5 | 2 | |
| 16 | 2B000840 | Zijplaatje li | 1 | |
| 17 | 2H000729000XN2 | Zijplaatje li v.zwart | 1 | Kleur van het voertuig: Azzurro Vieste[az], Zwart Competition[nc], Rosso Daytona[rd] Technische specificaties: Met decalco[D] |
| 17 | 978943 | Zijplaatje li ruw | 1 | Kleur van het voertuig: Onbewerkt[gr] |

| | |
|---------------------|-----------------------|
| Groep | FRAME |
| Code | 33.15 |
| Beschrijving | Rear body I- Mudguard |
| Revisie | 1 |



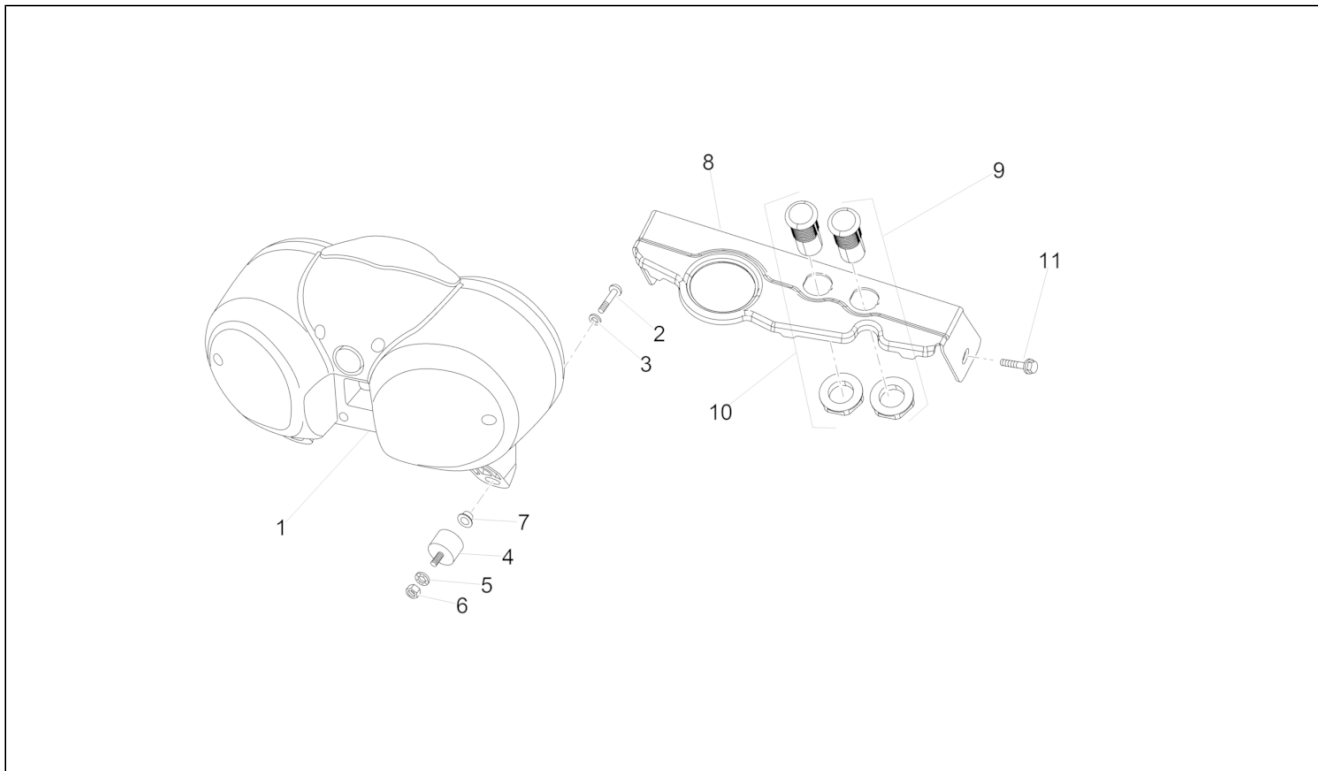
| Pos. | Code | Beschrijving | Aant. | Varianten |
|------|-------------|-------------------------------|-------|--|
| 1 | 978946 | Spatbord acht. ruw | 1 | Kleur van het voertuig:Onbewerkt[gr] |
| 1 | 97894600XN2 | Spatbord acht.zwart | 1 | Kleur van het voertuig:Zwart Competition[nc] |
| 2 | 978947 | Versterking | 1 | |
| 3 | AP8152278 | Zeskantbout geflenst M6x16 | 4 | |
| 4 | 254485 | Spring plate M6 | 1 | |
| 5 | GU98690435 | Binnenzeskantbout M8x35 | 2 | |
| 6 | GU91120806 | Afstandhouder | 2 | |
| 7 | GU95005310 | Sluitring 8,4x18x2 | 2 | |
| 8 | GU92630108 | Moer | 2 | |
| 9 | AP8152279 | Zeskantbout geflenst M6x20 | 2 | |
| 10 | AP8121032 | Huls | 2 | |
| 11 | AP8152329 | Bout SWP kruiskop gefl. M5x20 | 3 | |
| 12 | 2B001783 | Spatbordje acht. | 1 | |
| 13 | AP8121032 | Huls | 6 | |
| 14 | AP8152299 | Zelfborg.bout gefl. M6 | 6 | |

| | |
|---------------------|----------------------------|
| Groep | FRAME |
| Code | 33.16 |
| Beschrijving | Rear body II- Plate holder |
| Revisie | 1 |



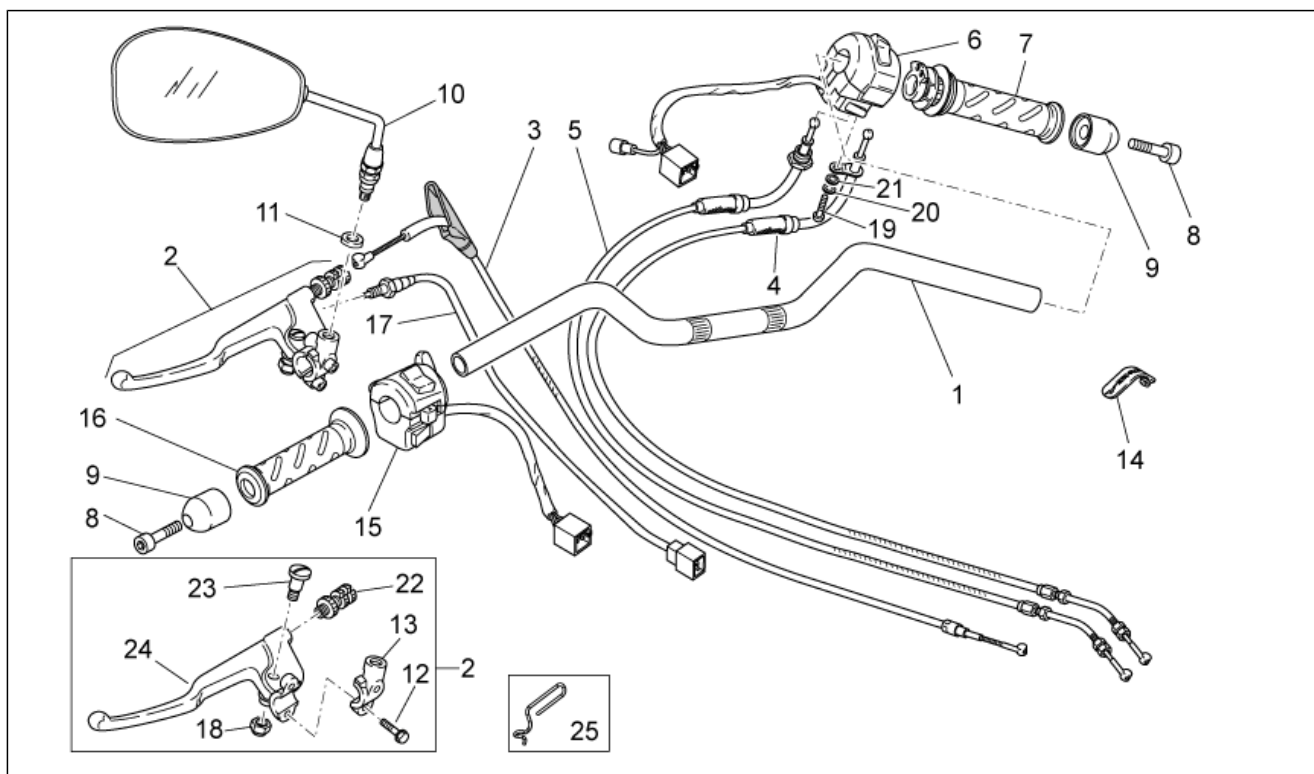
| Pos. | Code | Beschrijving | Aant. | Varianten |
|------|------------|---------------------------|-------|-----------|
| 1 | 978949 | Nummerplaathouder | 1 | |
| 2 | AP8134448 | Houder reflector | 1 | |
| 3 | AP8224164 | Reflector rood | 1 | |
| 4 | GU98230510 | Bolbout met binnenzeskant | 1 | |
| 5 | AP8152306 | Zelfborg.bout gefl. m5 | 1 | |

| | |
|---------------------|-----------|
| Groep | FRAME |
| Code | 33.17 |
| Beschrijving | Dashboard |
| Revisie | 1 |



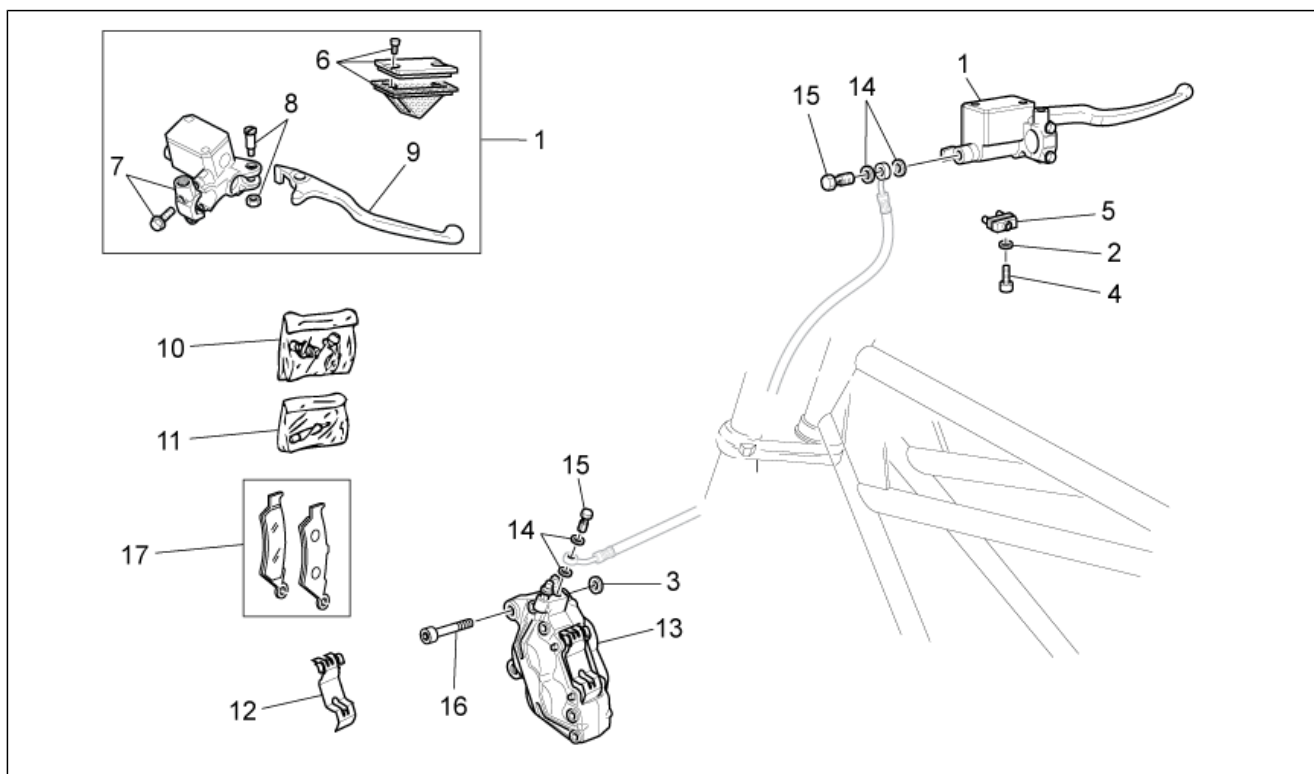
| Pos. | Code | Beschrijving | Aant. | Varianten |
|------|------------|---------------------------------|-------|-----------|
| 1 | 887194 | Dashboard cpl. km/h | 1 | |
| 2 | GU98370609 | Bolbout met binnenzeskant M6x10 | 3 | |
| 3 | GU95005306 | Sluitring 6,4x13x1,5 | 3 | |
| 4 | GU93222023 | Silent-block | 3 | |
| 5 | GU95021206 | Sluitring | 3 | |
| 6 | GU92606206 | Moer | 3 | |
| 7 | AP8121032 | Huls | 3 | |
| 8 | 2B001101 | Omlijsting instrumenten | 1 | |
| 9 | 2D000022 | Controlelamp MGCT | 1 | |
| 10 | 2D000021 | Controlelamp ABS | 1 | |
| 11 | GU98692414 | Bout M8x14 | 2 | |

| | |
|---------------------|----------------------|
| Groep | FRAME |
| Code | 33.18 |
| Beschrijving | Handlebar - Controls |
| Revisie | 1 |



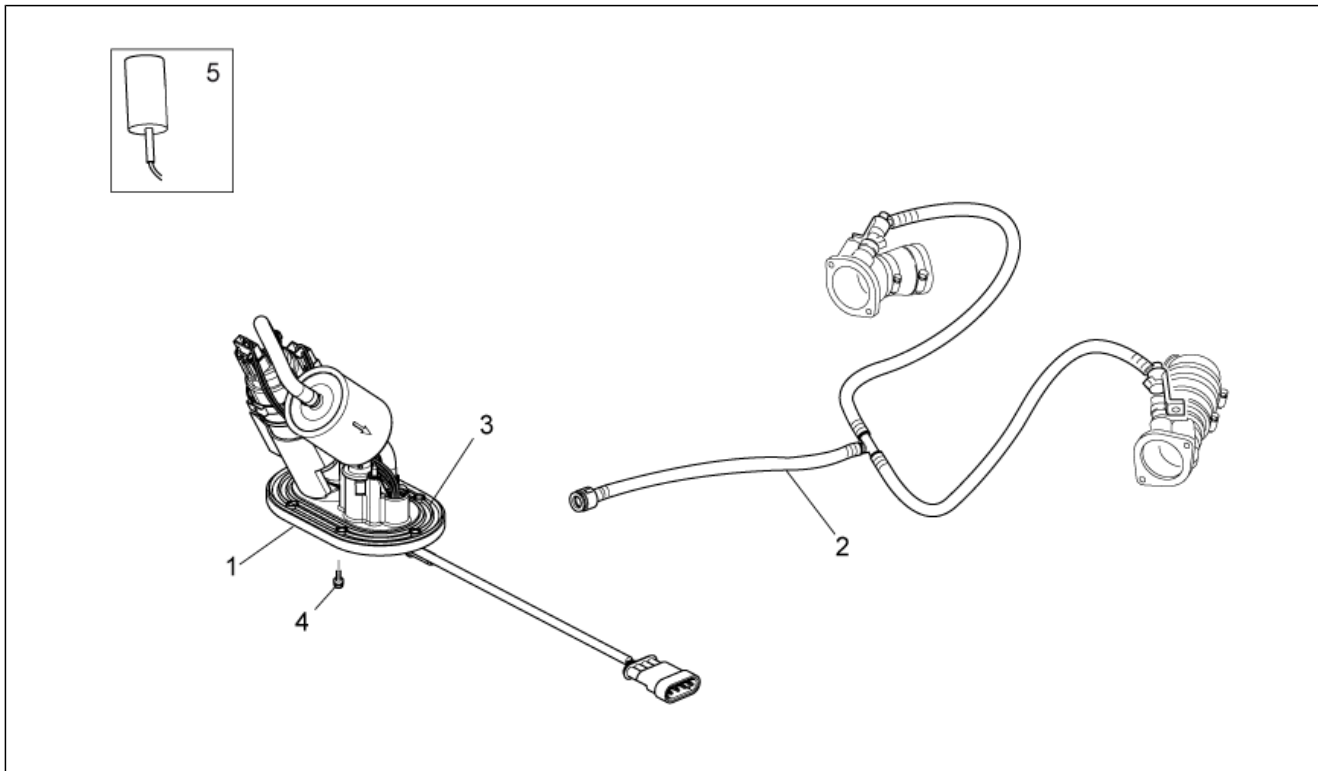
| Pos. | Code | Beschrijving | Aant. | Varianten |
|------|------------|---------------------------------|-------|---|
| 1 | 978960 | Stuur | 1 | |
| 2 | 2B001300 | Koppelingshendel cpl. | 1 | |
| 3 | 2B001202 | Kabel koppeling | 1 | |
| 4 | 887852 | Kabel opening gas | 1 | |
| 5 | 887853 | Kabel sluiting gas | 1 | |
| 6 | B063135 | Schak.lichten re | 1 | |
| 7 | GU32603310 | Handvat re | 1 | |
| 8 | GU98690335 | Binnenzeskantbout | 2 | |
| 9 | GU32602860 | Antitrilgewicht v.cromo | 2 | |
| 10 | 883802 | Achteruitkijkspiegel re/li | 2 | Technische specificaties: "Gemerkt ""FU E11 81R-001047""[FU] |
| 10 | 978570 | Achteruitkijkspiegel re/li | 2 | Technische specificaties: "gemerkt ""FAR""[FAR] |
| 11 | GU91181003 | Afstandhouder 10,25X20X4 | 2 | |
| 12 | GU97202325 | Zeskantbout gefl.zwart M6x25 | 2 | |
| 13 | GU30601060 | Klem | 1 | |
| 14 | GU01609630 | Klemmetje L46 mm | 2 | |
| 14 | GU03609600 | Klemmetje L36 mm | 1 | |
| 15 | B063975 | Schak.lichten li | 1 | |
| 16 | GU32603010 | Handvat li | 1 | |
| 17 | GU29759150 | Schakelaar standaard | 1 | |
| 18 | AP8213388 | Zelfborg.moer | 1 | |
| 19 | GU98230510 | Bolbout met binnenzeskant | 1 | |
| 20 | GU95008305 | Sluitring 5,3X10X1 | 1 | |
| 21 | GU95021105 | Getande sluitring | 1 | |
| 22 | GU30602500 | Register | 1 | |
| 23 | AP8213028 | Bout | 1 | |
| 24 | 2B001998 | Commandohendel van de koppeling | 1 | |
| 25 | 2B001138 | Kabelwartel | 1 | |

| | |
|---------------------|--------------------|
| Groep | FRAME |
| Code | 33.19 |
| Beschrijving | Front brake system |
| Revisie | 1 |



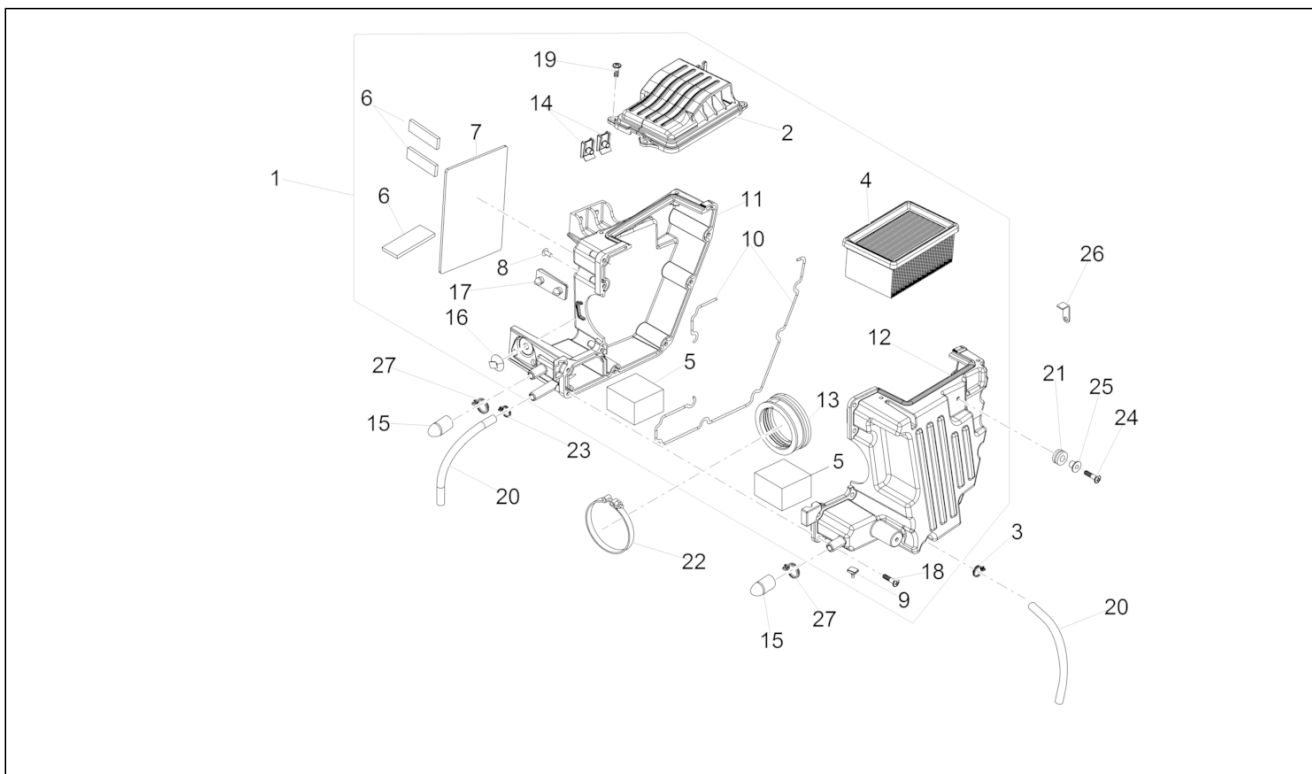
| Pos. | Code | Beschrijving | Aant. | Varianten |
|------|------------|-------------------------------|-------|-----------|
| 1 | 2B001199 | Pomp voorrem | 1 | |
| 2 | GU95021104 | Sluitring 4,3x8x1,5 | 1 | |
| 3 | GU91181003 | Afstandhouder 10,25X20X4 | 2 | |
| 4 | AP8152043 | Binnenzeskantbout M4x10 | 1 | |
| 5 | GU03749845 | Stopschakelaar | 1 | |
| 6 | 2B001928 | Bedekking pomp | 1 | |
| 7 | 2B001929 | Beugel met bouten | 1 | |
| 8 | 2B001927 | Pin hendel cpl. | 1 | |
| 9 | 2B001926 | Remhendel | 1 | |
| 10 | GU05659230 | Ontluchting+kapje | 1 | |
| 11 | GU01659130 | Pinnen+Veren tang | 1 | |
| 12 | GU01659131 | Veer | 1 | |
| 13 | 2B001197 | Front disk brake caliper l.h. | 1 | |
| 14 | AP8113004 | Sluitring 10x14x1,6* | 4 | |
| 15 | AP8113003 | Bout olieleiding * | 2 | |
| 16 | AP8152385 | Binnenzeskantbout M10x1,25 | 2 | |
| 17 | 883673 | Pastilles - koppel | 1 | |

| | |
|---------------------|-----------|
| Groep | FRAME |
| Code | 33.21 |
| Beschrijving | Fuel pump |
| Revisie | 1 |



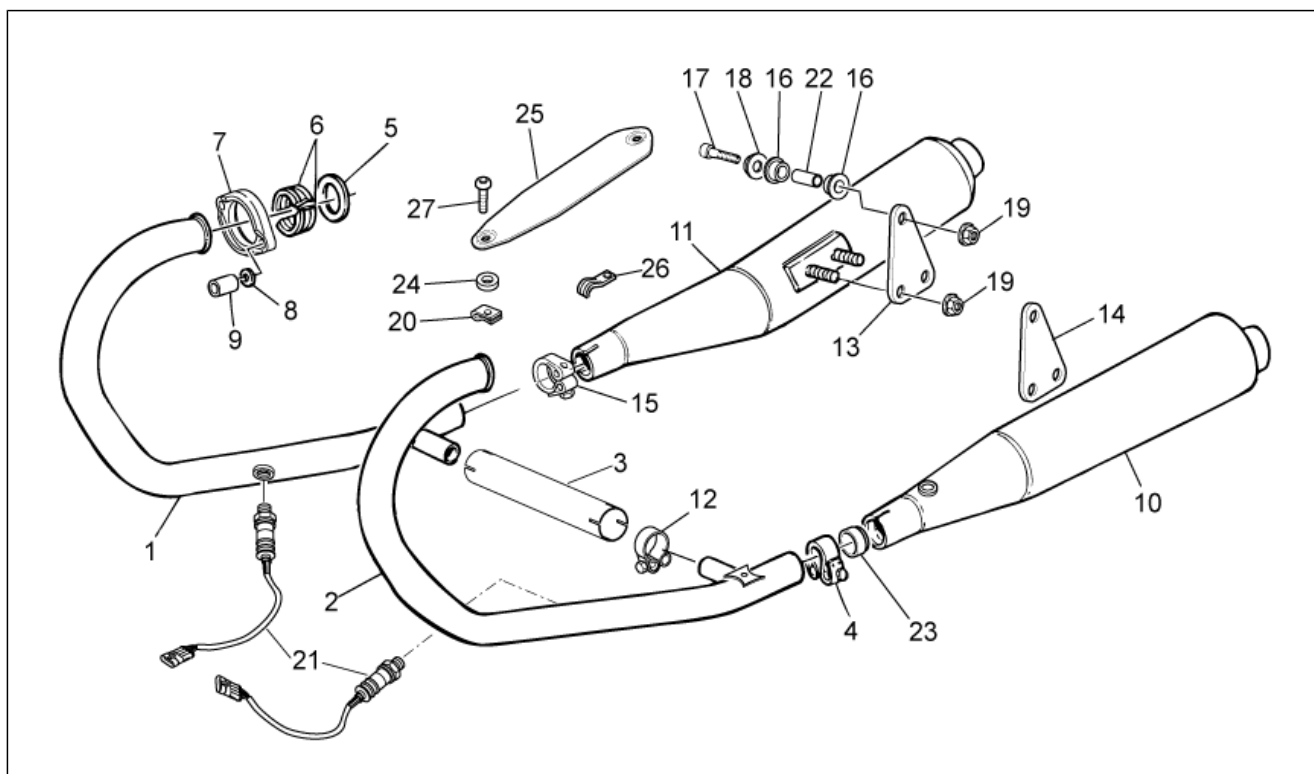
| Pos. | Code | Beschrijving | Aant. | Varianten |
|------|------------|----------------------|-------|-----------|
| 1 | B063752 | Brandstofpomp | 1 | |
| 2 | 2B001342 | Benzineleiding | 1 | |
| 3 | GU05107430 | Pakking flens | 1 | |
| 4 | AP8152273 | Geflenste bout M5X15 | 6 | |
| 5 | 887787 | Sensor benzinepeil | 1 | |

| | |
|---------------------|---------|
| Groep | FRAME |
| Code | 33.22 |
| Beschrijving | Air box |
| Revisie | 1 |



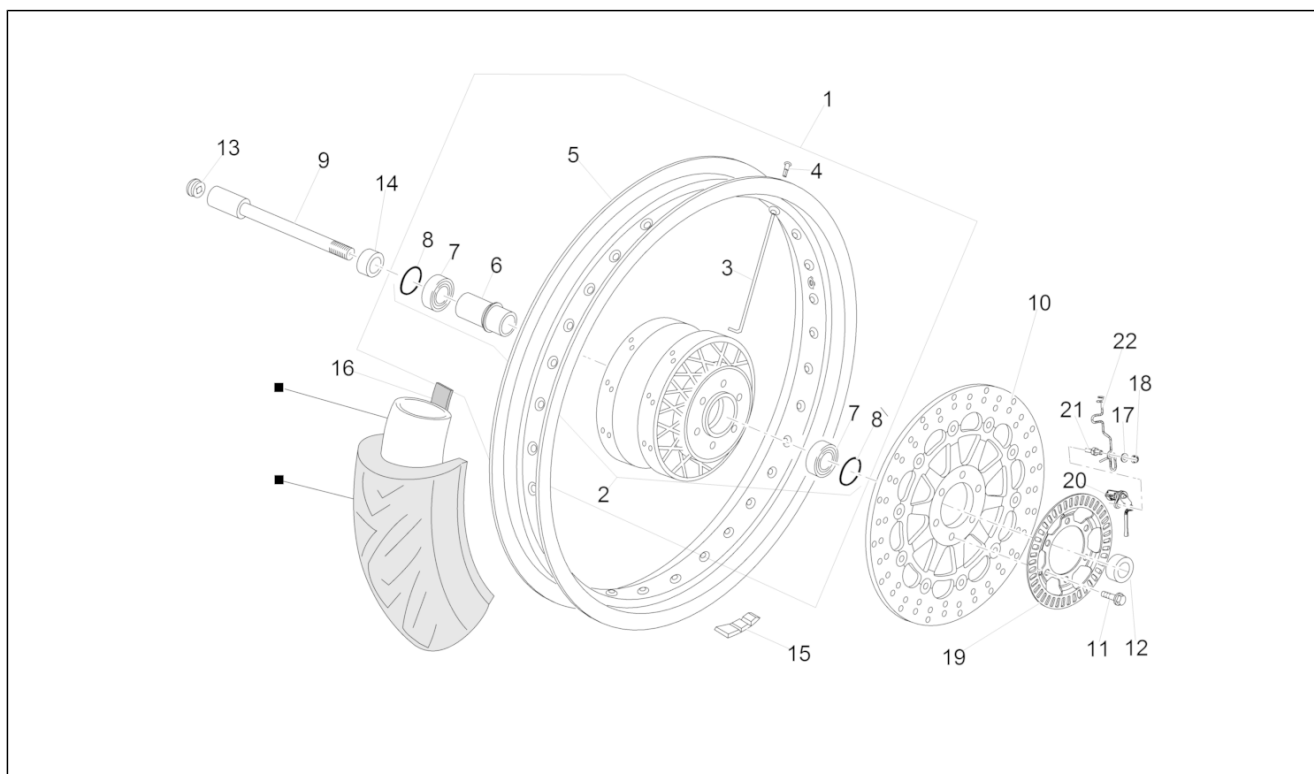
| Pos. | Code | Beschrijving | Aant. | Varianten |
|------|------------|-------------------------------|-------|-----------|
| 1 | 8878421 | Filterkist cpl. | 1 | |
| 2 | 887843 | Bedekking luchtfilter | 1 | |
| 3 | AP8201358 | Klemmetje D 11,9 | 1 | |
| 4 | AP8104924 | Luchtfilter | 1 | |
| 5 | AP8104525 | Filter blow-by | 2 | |
| 6 | 883127 | Rubber 5mm | 1 | |
| 7 | AP8144553 | Rubber | 1 | |
| 8 | AP8120876 | Sluitdop | 2 | |
| 9 | AP8120455 | Rubbetje | 1 | |
| 10 | AP8120615 | Pakking D3 | 2 | |
| 11 | 887844 | Schaal re filterhuis | 1 | |
| 12 | 887845 | Schaal li filterhuis | 1 | |
| 13 | 887815 | Aanzuigingsmof | 1 | |
| 14 | 254485 | Spring plate M6 | 2 | |
| 15 | AP8161054 | Kapje | 2 | |
| 16 | 890760 | Steun connector | 1 | |
| 17 | AP8144729 | Buffer eindeloop standaard | 1 | |
| 18 | AP8152329 | Bout SWP kruiskop gefl. M5x20 | 9 | |
| 19 | AP8150509 | Zelftap. bout 5x14 | 4 | |
| 20 | AP8120772 | Ontluchttingsbuis | 1 | |
| 21 | GU91551010 | Rubbetje | 2 | |
| 22 | CM258303 | Klemmetje 63 | 1 | |
| 23 | AP8102766 | Klemmetje | 3 | |
| 24 | AP8152329 | Bout SWP kruiskop gefl. M5x20 | 2 | |
| 25 | AP8221023 | 'T'-vormige huls | 2 | |
| 26 | GU31112965 | Steunbeugel filter | 1 | |
| 27 | AP8102520 | Klembandje buis | 2 | |

| | |
|---------------------|--------------|
| Groep | FRAME |
| Code | 33.23 |
| Beschrijving | Exhaust unit |
| Revisie | 1 |



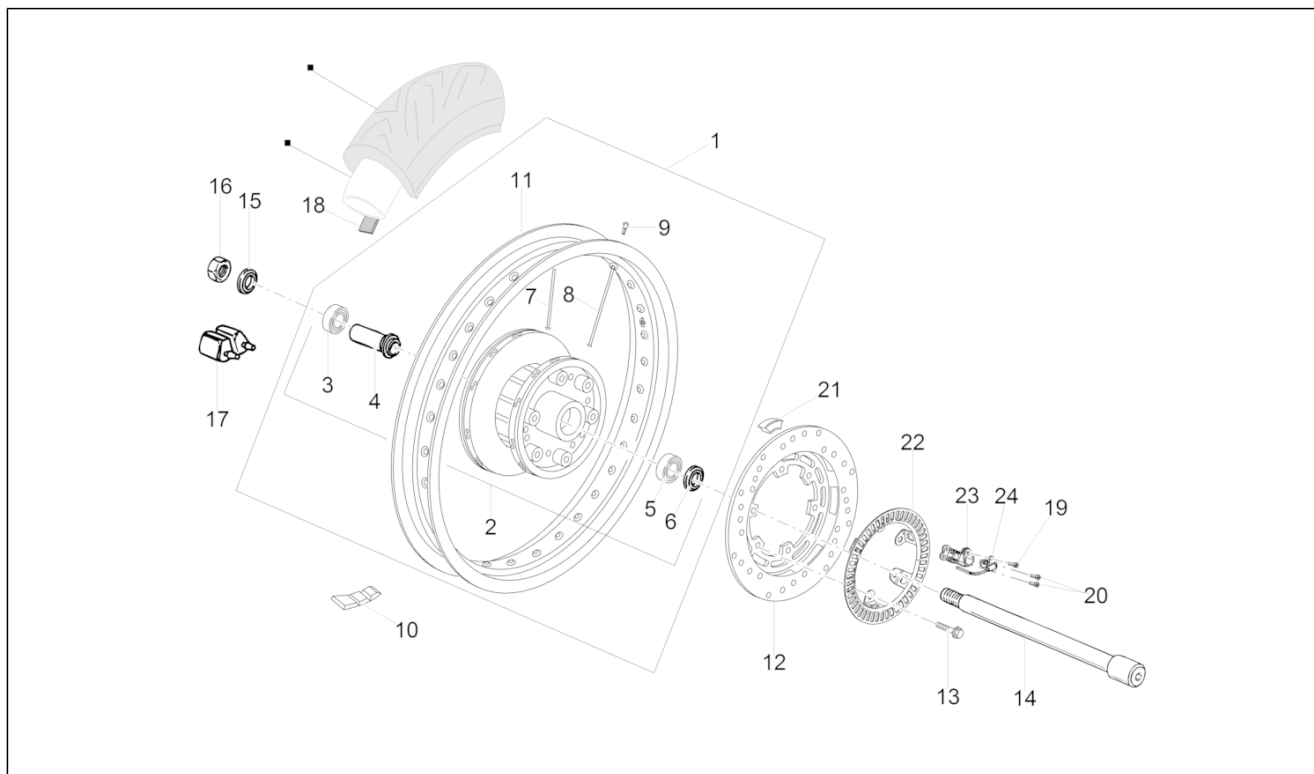
| Pos. | Code | Beschrijving | Aant. | Varianten |
|------|------------|---|-------|-----------|
| 1 | 2B000995 | Collector uitlaat re | 1 | |
| 2 | 2B000996 | Collector uitlaat li | 1 | |
| 3 | B063022 | Verbinding collectoren uitlaat | 1 | |
| 4 | 883294 | Band geluiddemper li | 1 | |
| 5 | GU19025280 | Pakking | 2 | |
| 6 | GU19025460 | Afstandhouder | 4 | |
| 7 | GU32121010 | Moer | 2 | |
| 8 | GU03013800 | Sluitring 6,4x12 | 4 | |
| 9 | GU31121880 | Moer | 4 | |
| 10 | 2B001679 | ***Left silencer | 1 | |
| 11 | 2B001678 | ***RH silencer | 1 | |
| 12 | 978385 | Klemmetje | 2 | |
| 13 | 883297 | Plaat re | 1 | |
| 14 | 883298 | Plaat li | 1 | |
| 15 | 883293 | Band geluiddemper re | 1 | |
| 16 | AP8144071 | Rubbertje uitlaat | 4 | |
| 17 | GU98690440 | Bout TCEI M8x40 | 2 | |
| 18 | AP8134378 | Huls bevestiging geluiddemper | 2 | |
| 19 | GU92640508 | Moer M8 | 6 | |
| 20 | 254485 | Spring plate M6 | 2 | |
| 21 | 896110 | Lambdasonde l.660 mm | 2 | |
| 22 | AP8121072 | Afstandhouder | 2 | |
| 23 | GU91113826 | Beslagring | 2 | |
| 24 | AP8120870 | Isolerende sluitring | 4 | |
| 25 | 883704 | Hittewer.bescherming uitlaat | 2 | |
| 26 | GU93301175 | Beugel | 1 | |
| 27 | GU98210612 | Bolbout met binnenzeskant, geflenst M6x12 | 4 | |

| | |
|---------------------|---------------|
| Groep | FRAME |
| Code | 33.24 |
| Beschrijving | Front wheel I |
| Revisie | 1 |



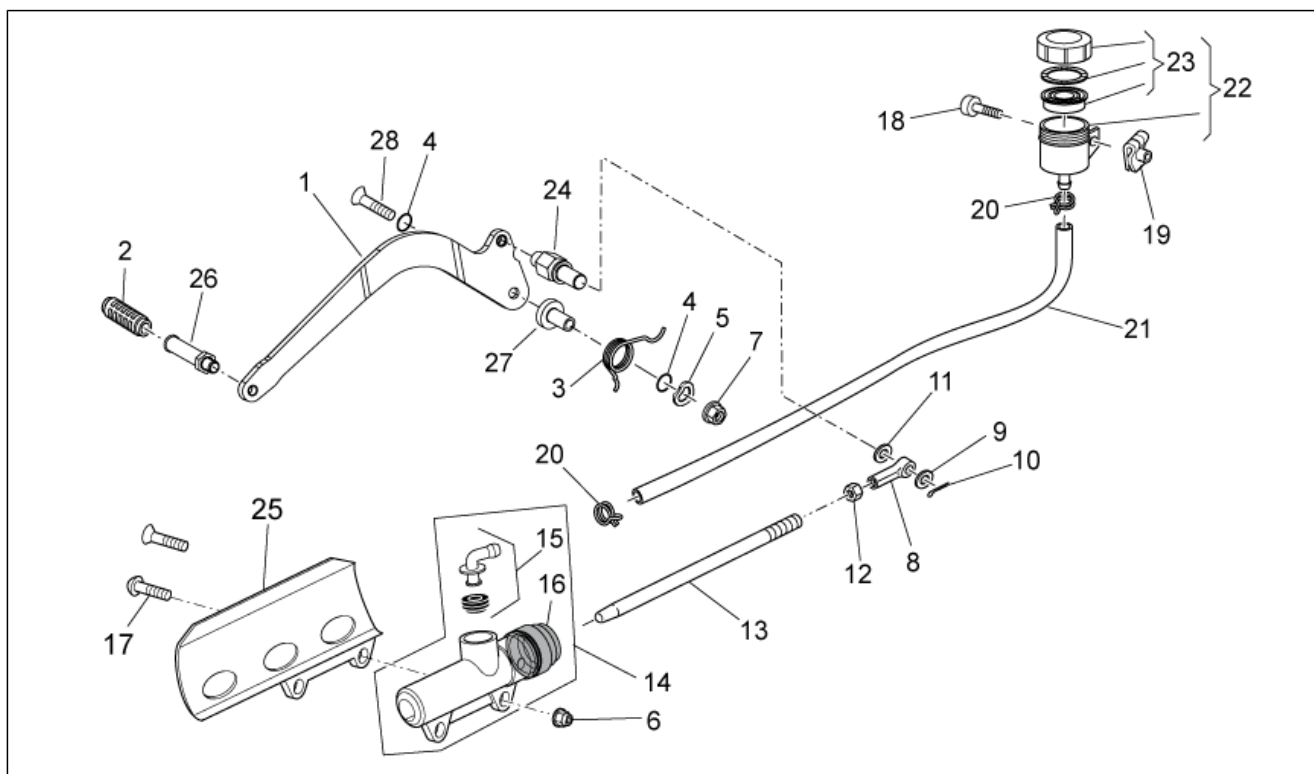
| Pos. | Code | Beschrijving | Aant. | Varianten |
|------|------------|-----------------------------|-------|-----------|
| 1 | B063702 | Voorwiel. 2,5x18" Black | 1 | |
| 2 | GU32613160 | Voornaaf | 1 | |
| 3 | B063144 | Spaak voorwiel | 36 | |
| 4 | GU03631250 | Nippels | 36 | |
| 5 | B063077 | Velg voor. zwart 2.5X18" | 1 | |
| 6 | GU31615283 | Afstandhouder lagers | 1 | |
| 7 | GU92204221 | Lager | 2 | |
| 8 | GU90402642 | Dichtingsring | 1 | |
| 9 | GU31614183 | Pin voorwiel | 1 | |
| 10 | 883688 | Remschijf voor 320 | 1 | |
| 11 | 887762 | Geflenste zeskantbout M8x22 | 6 | |
| 12 | GU31616384 | Afstandhouder li | 1 | |
| 13 | GU93180111 | Dop 15 mm | 1 | |
| 14 | GU32615660 | Afstandhouder re | 1 | |
| 15 | GU14616150 | Tegengewicht | 1 | |
| 16 | GU03612040 | Klemring nippelbescherming | 1 | |
| 17 | AP8150178 | Sluitring 6,4x12,5* | 1 | |
| 18 | GU92630207 | Moer | 1 | |
| 19 | 887875 | Geluidswiel | 1 | |
| 20 | 859792 | Sensor ABS | 1 | |
| 21 | 2B001708 | Afstandhouder | 1 | |
| 22 | 2B001561 | Kabelwartel | 1 | |

| | |
|---------------------|--------------|
| Groep | FRAME |
| Code | 33.25 |
| Beschrijving | Rear wheel I |
| Revisie | 1 |



| Pos. | Code | Beschrijving | Aant. | Varianten |
|------|------------|-------------------------------|-------|-----------|
| 1 | B063704 | Achterwiel cpl. 3,5x17" Black | 1 | |
| 2 | GU32692260 | Naaf | 1 | |
| 3 | GU92204218 | Lager | 1 | |
| 4 | GU27633910 | Afstandhouder | 1 | |
| 5 | GU92204217 | Lager | 1 | |
| 6 | GU90402538 | Dichtingsring 25x40x7 | 1 | |
| 7 | 883350 | Spaak kort | 18 | |
| 8 | 883349 | Spaak lang mm 158 | 18 | |
| 9 | GU03631250 | Nippels | 36 | |
| 10 | GU14616150 | Tegengewicht | 1 | |
| 11 | B063078 | Achtervelg 3,5"x17" Black | 1 | |
| 12 | 887448 | Remschijf | 1 | |
| 13 | 894505 | Zeskantbout geflenst M8x18 | 6 | |
| 14 | GU32633360 | Pin achterwiel | 1 | |
| 15 | GU31634481 | Sluitring | 1 | |
| 16 | GU92606316 | Moer M16x1,5 | 1 | |
| 17 | GU32632510 | Element schokbesch. | 6 | |
| 18 | GU28612033 | Klemring nippelbescherming | 1 | |
| 19 | GU98612216 | Binnenzeskantbout | 1 | |
| 20 | GU98682312 | Binnenzeskantbout M6x12 | 2 | |
| 21 | GU32636160 | Rubber | 1 | |
| 22 | 2B000225 | Geluidswiel | 1 | |
| 23 | 2B000377 | Steun sensor ABS | 1 | |
| 24 | 859792 | Sensor ABS | 1 | |

| | |
|---------------------|----------------------|
| Groep | FRAME |
| Code | 33.26 |
| Beschrijving | Rear master cylinder |
| Revisie | 1 |



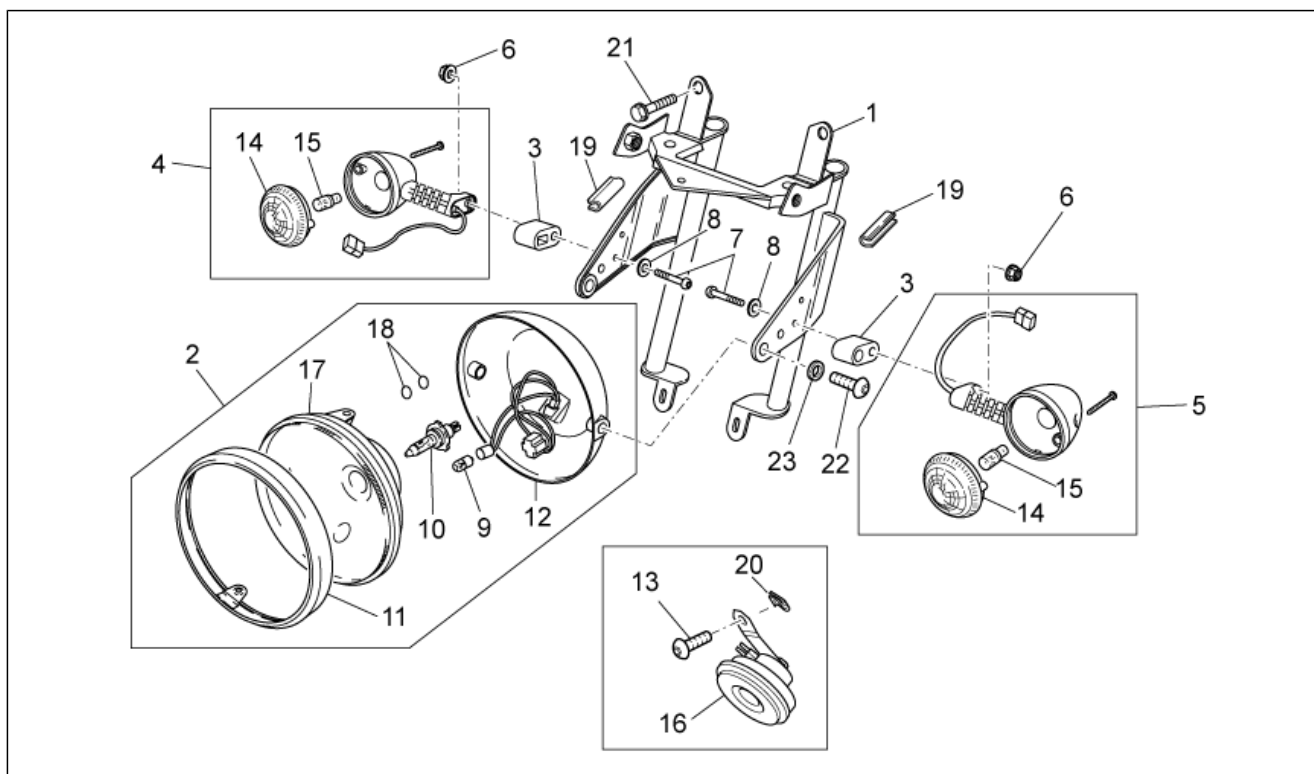
| Pos. | Code | Beschrijving | Aant. | Varianten |
|------|---------------|--|-------|-----------|
| 1 | 887910 | Remhendel | 1 | |
| 2 | AP8120912 | Rubbertje voor hendel | 1 | |
| 3 | 978969 | Veer | 1 | |
| 4 | AP8144007 | OR-ring 11,11x1,78 | 2 | |
| 5 | GU95005310 | Sluitring 8,4x18x2 | 1 | |
| 6 | GU92630206 | Moer M6x1 | 2 | |
| 7 | GU92660021 | Moer geflenst M8 | 1 | |
| 8 | GU18257551 | Blokje | 1 | |
| 9 | GU95005308 | Sluitring 8,4x14,57x1,6 | 1 | |
| 10 | GU95500221 | Splitpen | 1 | |
| 11 | 658837 | Elastische gegolfde sluitring D15 F8,4 S1,5 - INOX | 1 | |
| 12 | GU92609007 | Moer | 1 | |
| 13 | 2B001597 | Staaft pomp rem | 1 | |
| 14 | 2B000508 | Pomp achterrem | 1 | |
| 15 | AP8213057 | Verbinding pomp acht. | 1 | |
| 16 | AP8113288 | Blower van rubber | 1 | |
| 17 | GU98370625 | Bolbout met binnenzeskant | 2 | |
| 18 | AP8152298 | Bolbout met binnenzeskant, geflenst M5x16 | 1 | |
| 19 | 248419 | Spring plate m5 | 1 | |
| 20 | AP8101594 | Klemmetje D10,1* | 2 | |
| 21 | GU00823950050 | Olieleiding | 1 | |
| 22 | AP8113241 | Oliereservoir remmen cpl. | 1 | |
| 23 | AP8113553 | Tankdop | 1 | |
| 24 | 887911 | Pin remhendel | 1 | |
| 25 | GU01665410 | Bescherming rem pomp zwart | 1 | |
| 26 | 887908 | Pedaaltje | 1 | |
| 27 | 887952 | Huls hendel achterrem | 1 | |
| 28 | B063443 | Binnenzeskantbout met verzonken kop M8x50 | 1 | |

| | |
|---------------------|--------------------|
| Groep | FRAME |
| Code | 33.27 |
| Beschrijving | Rear brake caliper |
| Revisie | 1 |



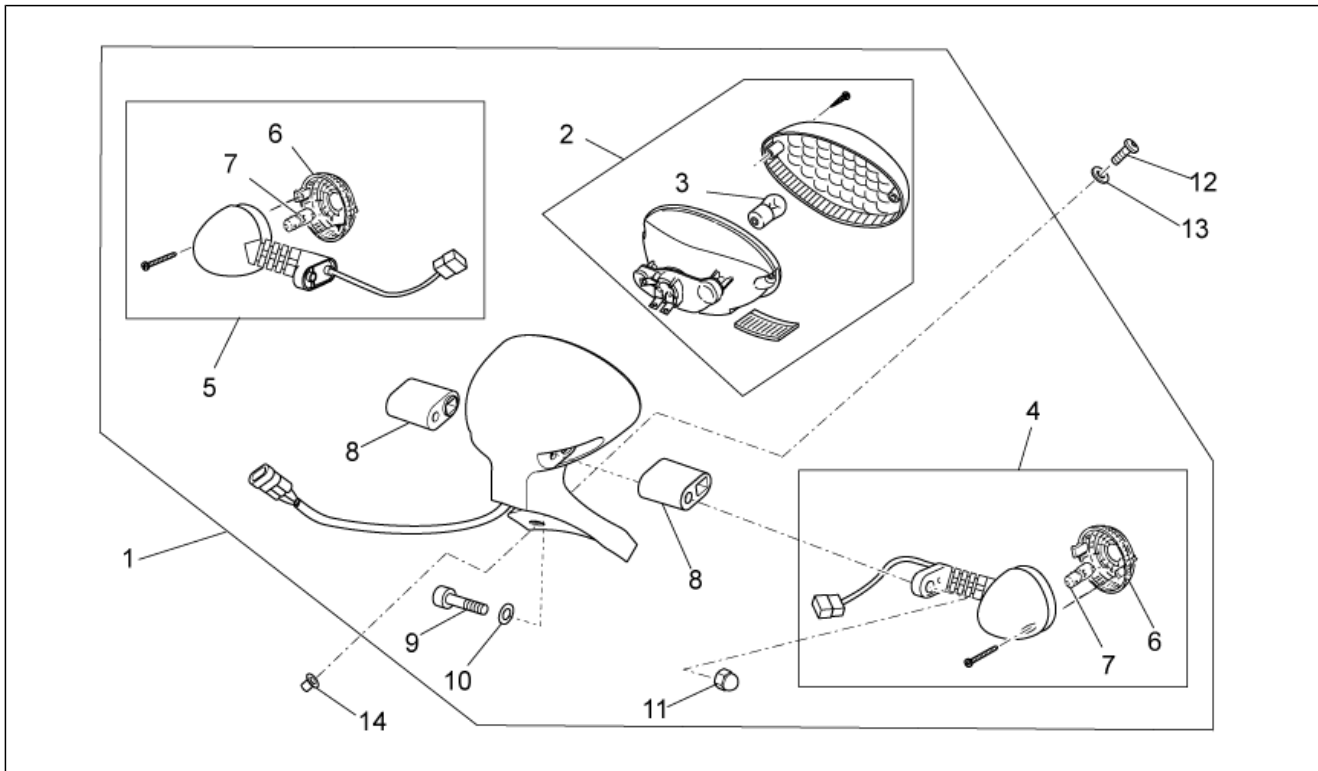
| Pos. | Code | Beschrijving | Aant. | Varianten |
|------|------------|-----------------------------|-------|-----------|
| 1 | 2B000229 | Brake caliper support plate | 1 | |
| 2 | GU31634281 | Beslagring | 1 | |
| 3 | GU31544181 | Pin | 1 | |
| 4 | AP8152288 | Zeskantbout geflenst | 1 | |
| 5 | GU32634160 | Afstandhouder | 4 | |
| 6 | 2B000525 | Tang van de achterrem | 1 | |
| 7 | | | 1 | |
| 8 | GU31659281 | Ontluchting+kapje | 1 | |
| 9 | GU31659181 | Kit pinnen+veer | 1 | |

| | |
|---------------------|--------------|
| Groep | FRAME |
| Code | 33.28 |
| Beschrijving | Front lights |
| Revisie | 1 |



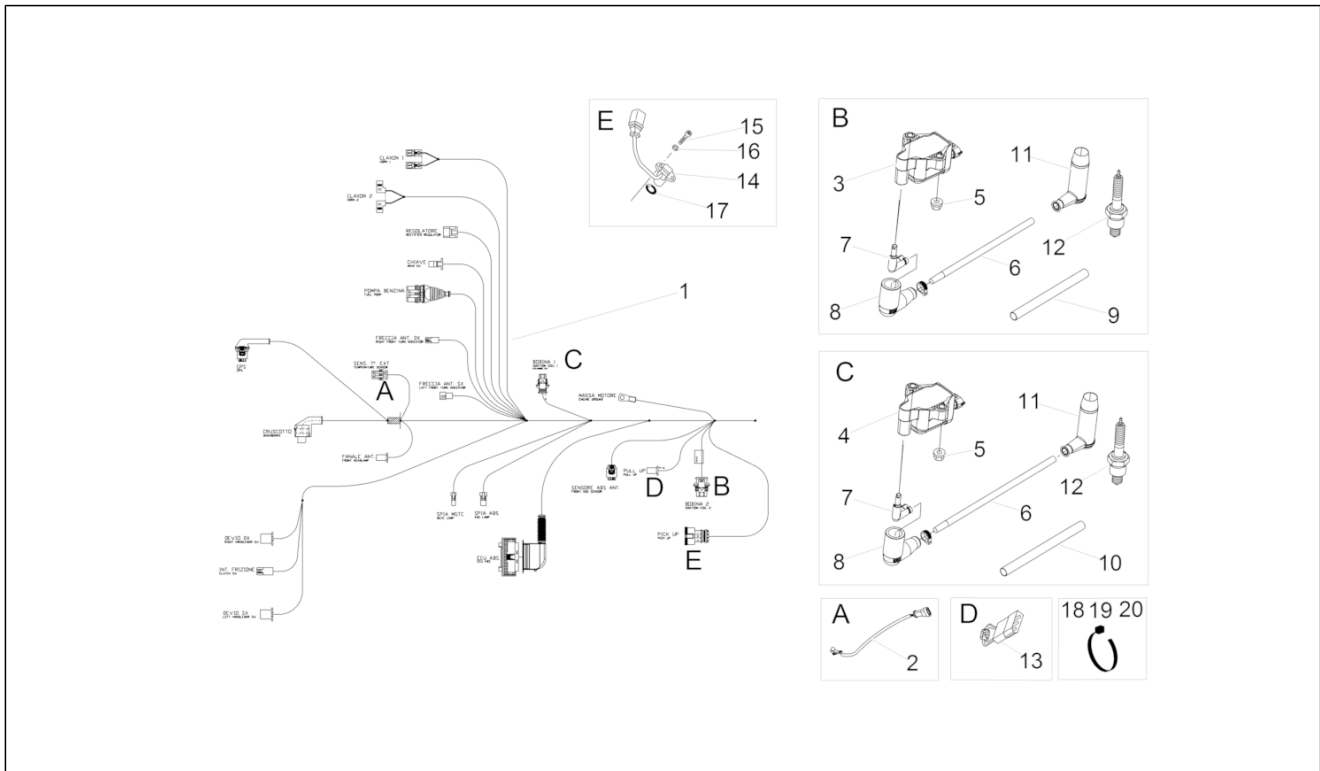
| Pos. | Code | Beschrijving | Aant. | Varianten |
|------|---------------|-----------------------------|-------|---------------------|
| 1 | GU32506360 | Steunbeugel licht | 1 | |
| 2 | 978311 | Voorlicht | 1 | |
| 2 | 978662 | Voorlicht m/o geleider li | 1 | LAND:Australië[AUS] |
| 3 | GU32753410 | Afstandhouder | 2 | |
| 4 | 887826 | Richt.aanw. voor.re/acht.li | 1 | |
| 5 | 887827 | Richt.aanw. voor.li/acht.re | 1 | |
| 6 | GU92787006 | Moer blind M6x1 | 2 | |
| 7 | GU98370655 | Bolbout met binnenzeskant | 2 | |
| 8 | GU95021206 | Sluitring | 2 | |
| 9 | GU93450105 | Lamp | 1 | |
| 10 | GU93450232 | Lamp 12V-55/60W | 1 | |
| 11 | GU31740383 | Moer verchr. | 1 | |
| 12 | 981149 | zwarte kap | 1 | |
| 13 | AP8150377 | Bout | 2 | |
| 14 | B063735 | Glas richtingaanw. | 2 | |
| 15 | GU93450126 | Lamp oranje | 2 | |
| 16 | 890979 | Claxon | 1 | |
| 17 | GU06740400 | Optische groep | 1 | |
| 18 | 883417 | OR-ring | 2 | |
| 19 | GU00823931055 | Pakking | 1 | |
| 20 | 254485 | Spring plate M6 | 2 | |
| 21 | GU98880540 | Bout M10x40 | 2 | |
| 22 | GU98692420 | Binnenzeskantbout M8x20 | 2 | |
| 23 | GU95005308 | Sluitring 8,4x14,57x1,6 | 2 | |

| | |
|---------------------|-------------|
| Groep | FRAME |
| Code | 33.29 |
| Beschrijving | Rear lights |
| Revisie | 1 |



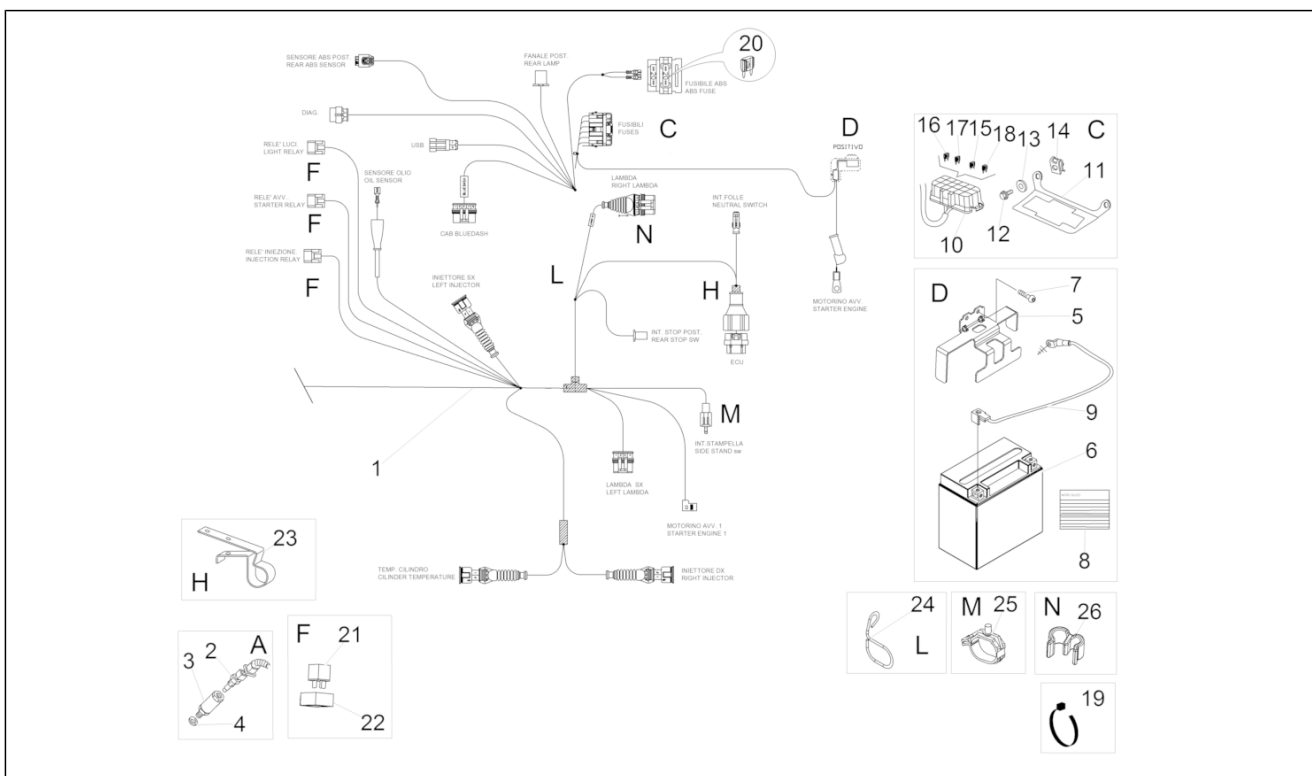
| Pos. | Code | Beschrijving | Aant. | Varianten |
|------|------------|-----------------------------|-------|-----------|
| 1 | 2B001701 | Achterlicht | 1 | |
| 2 | GU03740930 | Achterlicht | 1 | |
| 3 | GU93450224 | Lamp | 1 | |
| 4 | 887826 | Richt.aanw. voor.re/acht.li | 1 | |
| 5 | 887827 | Richt.aanw. voor.li/acht.re | 1 | |
| 6 | B063735 | Glas richtingaanw. | 2 | |
| 7 | GU93450126 | Lamp oranje | 2 | |
| 8 | GU32753410 | Afstandhouder | 2 | |
| 9 | GU98370655 | Bolbout met binnenzeskant | 2 | |
| 10 | GU95021206 | Sluitring | 2 | |
| 11 | GU92787006 | Moer blind M6x1 | 2 | |
| 12 | GU98350215 | Bolbout met binnenzeskant | 3 | |
| 13 | GU30577800 | Sluitring in nylon 5,5X12X1 | 3 | |
| 14 | GU93231605 | Huls antitrilling | 3 | |

| | |
|---------------------|---------------------|
| Groep | FRAME |
| Code | 33.30 |
| Beschrijving | Electrical system I |
| Revisie | 1 |



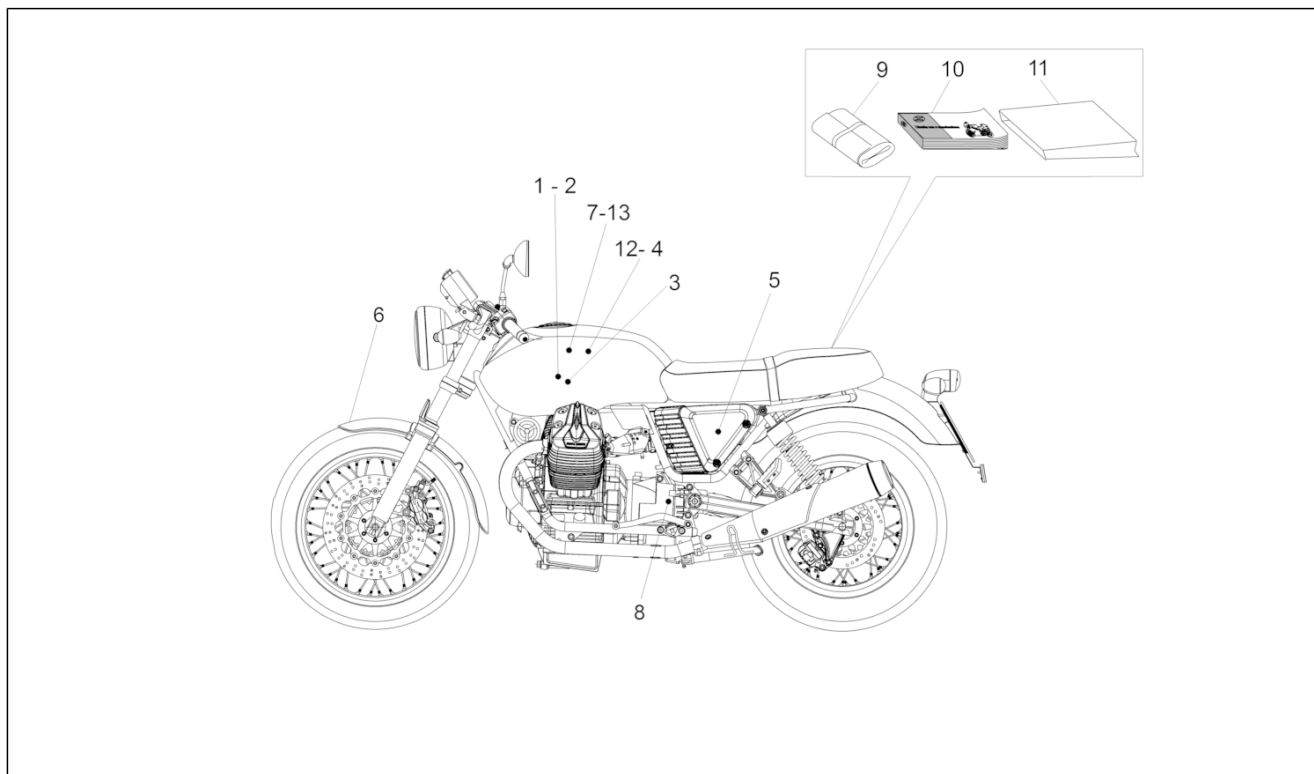
| Pos. | Code | Beschrijving | Aant. | Varianten |
|------|------------|-----------------------------------|-------|-----------|
| 1 | 2D000108 | Hoofdzakelijke bekabeling | 1 | |
| 2 | AP8124936 | Sensor luchttemperatuur | 1 | |
| 3 | 642034 | H.S. bobine DX | 1 | |
| 4 | 641901 | H.S. bobine | 1 | |
| 5 | AP8152299 | Zelfborg.bout gefl. M6 | 4 | |
| 6 | 080341 | H.S. kabel basis | 2 | |
| 7 | 641725 | HS aansluitklem | 2 | |
| 8 | 641040 | Isolerend kapje | 2 | |
| 9 | CM0074D0 | Gaine D.8-S.0,5-L.370 | 1 | |
| 10 | CM0074C9 | Grijze huls kabel D.8-S.0,5-L.435 | 1 | |
| 11 | 2D000005 | Bougiekapje | 2 | |
| 12 | 887481 | Bougie NGK CPR8EB-9 | 2 | |
| 13 | 887948 | Diode | 1 | |
| 14 | 832029 | Snelheidsensor | 1 | |
| 15 | GU98682212 | Binnenzeskantbout M5x12 | 2 | |
| 16 | GU95008205 | Sluitring 5,3x10x0,8 | 2 | |
| 17 | GU90706141 | OR-ring | 1 | |
| 18 | AP8120416 | Band zwart 178x4 | 1 | |
| 19 | GU49609601 | Klemmetje 2,4x92 | 1 | |
| 20 | GU14609650 | Klemmetje 3,6x20,6 | 31 | |

| | |
|---------------------|----------------------|
| Groep | FRAME |
| Code | 33.31 |
| Beschrijving | Electrical system II |
| Revisie | 1 |



| Pos. | Code | Beschrijving | Aant. | Varianten |
|------|------------|----------------------------------|-------|-----------|
| 1 | 2D000108 | Hoofdzakelijke bekabeling | 1 | |
| 2 | GU29729461 | Temperatuursensor olie | 1 | |
| 3 | GU03163330 | Steun sensor | 1 | |
| 4 | GU95008210 | Sluitring 10,2X18X2 | 4 | |
| 5 | B063233 | Beugel accu | 1 | |
| 6 | 638733 | Accu Yuasa 12V-12Ah (150x85x145) | 1 | |
| 7 | AP8152282 | Zeskantbout geflenst M6x35 | 2 | |
| 8 | GU32517710 | Plaat "Battery service" | 1 | |
| 9 | GU32747910 | Bekabeling massa-accu | 1 | |
| 10 | 584211 | Zekeringendoos | 1 | |
| 11 | 883161 | Steun zek.houder | 1 | |
| 12 | GU98682212 | Binnenzeskantbout M5x12 | 2 | |
| 13 | GU95100059 | Sluitring 5,25x14x1,5 | 2 | |
| 14 | AP8102375 | Clip m5 | 2 | |
| 15 | CM225705 | Zekering 5A | 2 | |
| 16 | CM225710 | Zekering 10A | 1 | |
| 17 | CM225715 | Zekering 15A | 2 | |
| 18 | CM225730 | Zekering 30A | 1 | |
| 19 | AP8120416 | Band zwart 178x4 | 1 | |
| 19 | GU14609650 | Klemmetje 3,6x20,6 | 21 | |
| 19 | GU49609601 | Klemmetje 2,4x92 | 1 | |
| 20 | CM225720 | Zekering 20A | 1 | |
| 21 | AP8224462 | Relais 12V/30A | 3 | |
| 22 | AP8220283 | Rubbertje * | 3 | |
| 23 | B043850 | Klemmetje | 1 | |
| 24 | AP8181140 | Kabelwartel | 1 | |
| 25 | CM013202 | Trekveertje leidingen/kabels | 1 | |
| 26 | 894704 | Kabelwartel | 1 | |

| | |
|---------------------|---------------------|
| Groep | FRAME |
| Code | 33.33 |
| Beschrijving | Decal and plate set |
| Revisie | 1 |



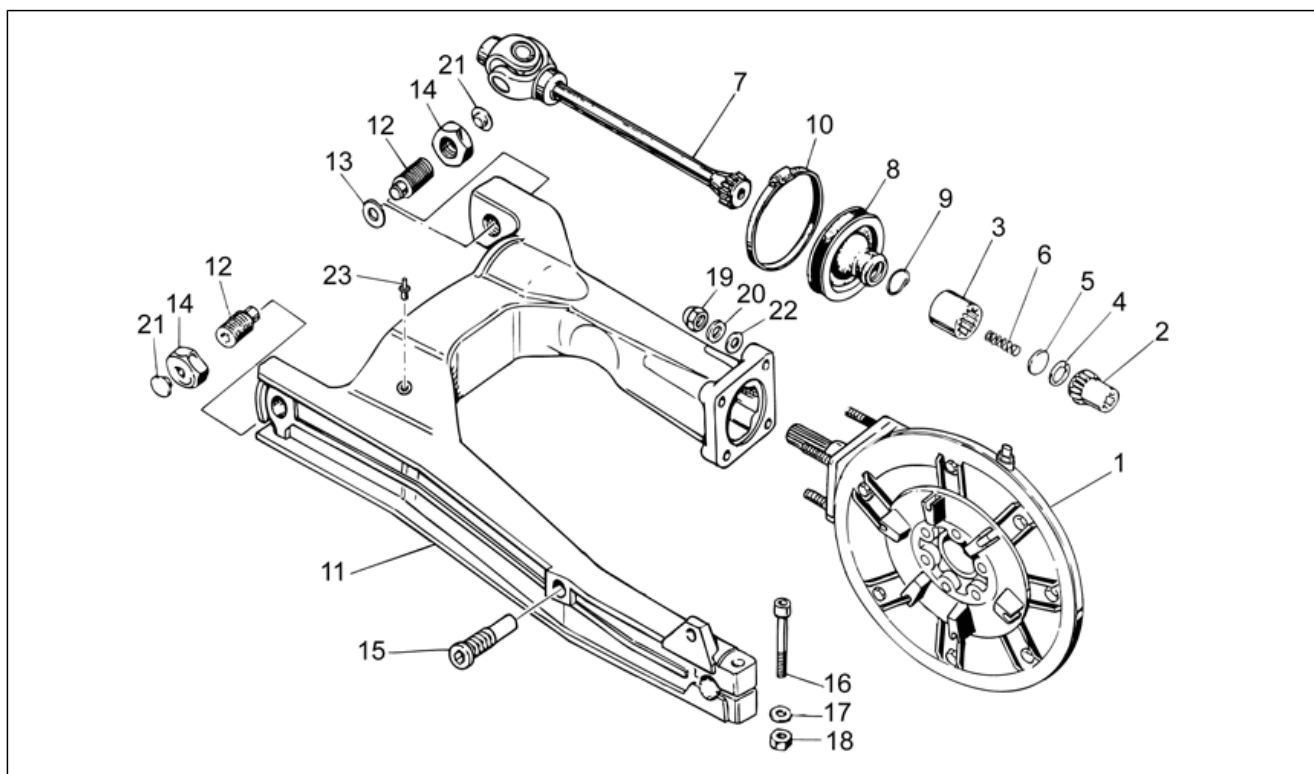
| Pos. | Code | Beschrijving | Aant. | Varianten |
|------|------------|--------------------------------|-------|--|
| 1 | 886340 | Plaatje Aquila | 1 | |
| 2 | 887930 | Plaatje li Aquila | 1 | |
| 3 | 887931 | Plaatje "Moto Guzzi" | 2 | |
| 4 | 2H000025 | Decalco strook achter. re tank | 1 | Kleur van het voertuig: Zwart Competition[nc] |
| 4 | 2H000661 | Decalco strook achter. re tank | 1 | Kleur van het voertuig: Azzurro Vieste[az], Rosso Daytona[rd] |
| 5 | 2H000725 | Targhetta dx-sx | 1 | |
| 6 | 886141 | Plaat "Aquila" | 1 | |
| 7 | 2H000023 | Decalco strook voor. re tank | 1 | Kleur van het voertuig: Zwart Competition[nc] |
| 7 | 2H000659 | Decalco strook voor. re tank | 1 | Kleur van het voertuig: Azzurro Vieste[az], Rosso Daytona[rd] |
| 8 | 895839 | "Plaatje ""Eni""" | 2 | |
| 9 | 887443 | Gereedschapstas | 1 | |
| 10 | 2Q000056 | LUM I-F-D-E-NL-ES-EN | 1 | |
| 11 | GU05900130 | Zakje voor documenten | 2 | |
| 12 | 2H000026 | Decalco strook achter. li tank | 1 | Kleur van het voertuig: Zwart Competition[nc] |
| 12 | 2H000662 | Decalco strook achter. li tank | 1 | Kleur van het voertuig: Azzurro Vieste[az], Rosso Daytona[rd] |
| 13 | 2H000024 | Decalco strook voor. li tank | 1 | Kleur van het voertuig: Zwart Competition[nc] |
| 13 | 2H000660 | Decalco strook voor. li tank | 1 | Kleur van het voertuig: Azzurro Vieste[az], Rosso Daytona[rd] |

| | |
|---------------------|--------------------|
| Groep | FRAME |
| Code | 33.36 |
| Beschrijving | Reminstallatie ABS |
| Revisie | 1 |



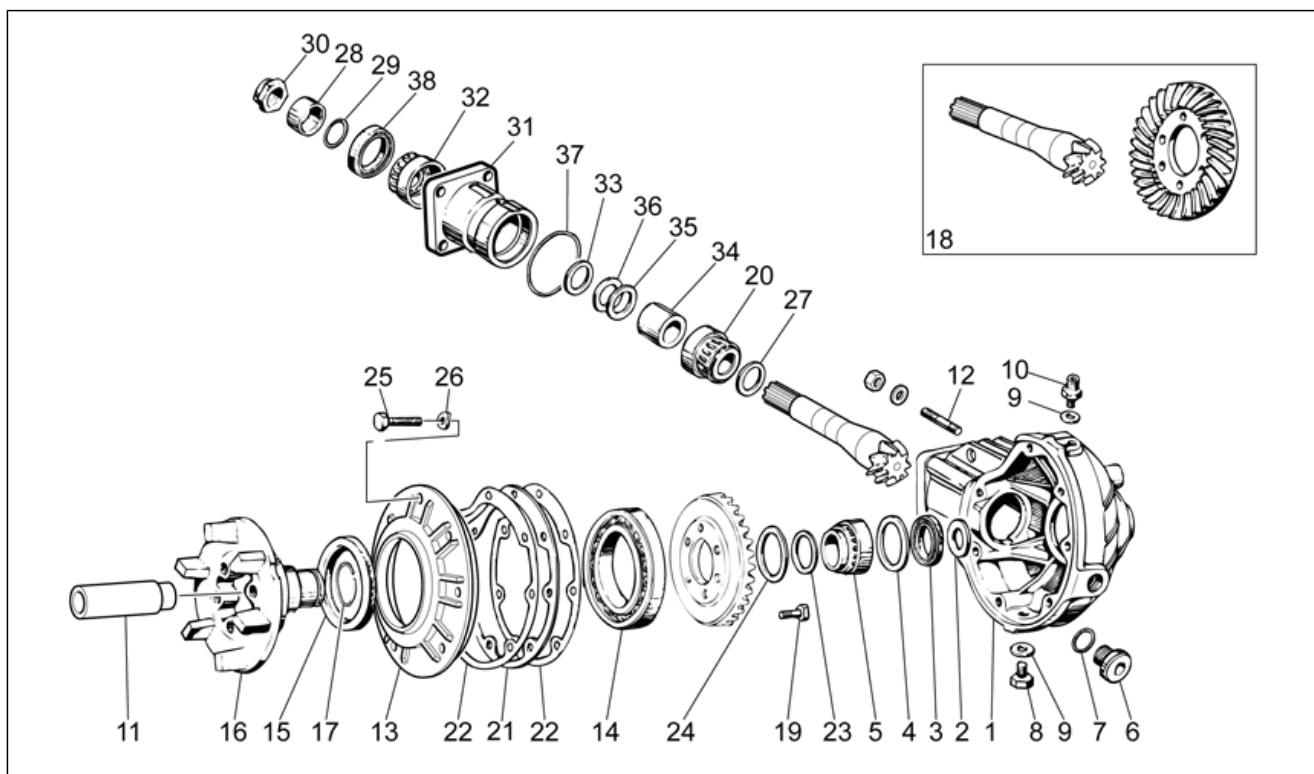
| Pos. | Code | Beschrijving | Aant. | Varianten |
|------|------------|-----------------------------------|-------|-----------|
| 1 | 2D000102 | Centrale ABS | 1 | |
| 2 | 2B001557 | Leiding pomp voor. centrale ABS | 1 | |
| 3 | 2B001558 | Leiding tangen voor. centrale ABS | 1 | |
| 4 | 2B001556 | Leiding tang achter. centrale ABS | 1 | |
| 5 | 2B001555 | Leiding pomp achter. centrale ABS | 1 | |
| 6 | AP8113004 | Sluitring 10x14x1,6* | 8 | |
| 7 | AP8113003 | Bout olieleiding * | 4 | |
| 8 | 854973 | Stopschakelaar | 1 | |
| 9 | AP8221023 | 'T'-vormige huls | 3 | |
| 10 | AP8120030 | Rubbetje | 3 | |
| 11 | AP8152279 | Zeskantbout geflenst M6x20 | 3 | |
| 12 | AP8150015 | Sluitring 6,6x18x1,6* | 3 | |
| 13 | 2B001016 | Houder centrale ABS | 1 | |
| 14 | 2B001564 | Steunplaat remleiding | 1 | |
| 15 | 2B001614 | Bevest.plaat buizen | 1 | |
| 16 | 959559 | Binnenzeskantbout M4x16 | 1 | |
| 17 | GU03658330 | Klemmetje | 1 | |
| 18 | 895709 | Binnenzeskantbout M5x12 | 1 | |
| 19 | AP8150451 | Zelfborg. moer laag | 1 | |
| 20 | GU03658201 | Ring | 1 | |
| 21 | 2B001570 | Houder remleiding | 1 | |
| 22 | 2B000276 | Kram | 2 | |

| | |
|---------------------|-------------------------|
| Groep | ENGINE |
| Code | 34.09 |
| Beschrijving | Transmission complete I |
| Revisie | 1 |



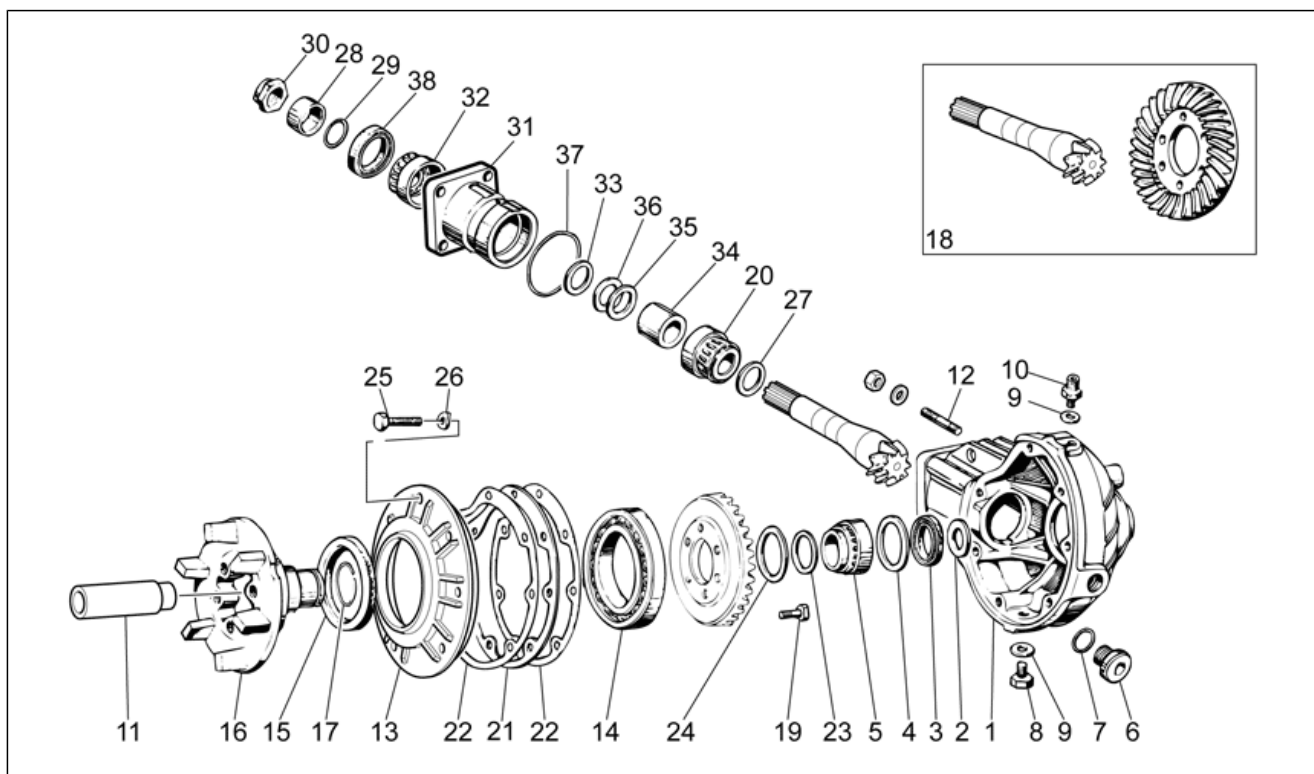
| Pos. | Code | Beschrijving | Aant. | Varianten |
|------|------------|----------------------------|-------|-----------|
| 1 | 976941 | Transmissiedoos cpl. zwart | 1 | |
| 2 | GU31327783 | Mof | 1 | |
| 3 | GU19328801 | Mof | 1 | |
| 4 | GU90272023 | Seegerring | 1 | |
| 5 | GU19327601 | Schijf | 1 | |
| 6 | GU94321099 | Veer | 1 | |
| 7 | GU23328081 | Cardankkoppeling | 1 | |
| 8 | GU23548080 | Besch.band | 1 | |
| 9 | GU23548180 | Veer | 1 | |
| 10 | AP8120246 | Klemmetje D=60-80 | 1 | |
| 11 | 2B001959 | Vork v.zwart | 1 | |
| 12 | GU19547000 | Pin | 2 | |
| 13 | GU35214300 | Dikte | 1 | |
| 14 | GU31547882 | Moer | 2 | |
| 15 | GU31544181 | Pin | 1 | |
| 16 | GU98680545 | Bout M10x45 | 1 | |
| 17 | GU95008210 | Sluitring 10,2X18X2 | 1 | |
| 18 | GU92606210 | Moer M10x1,5 | 1 | |
| 19 | 860651 | Moer blind M8x1,25 | 4 | |
| 20 | GU14615901 | Sluitring 8,4X13X0,8 | 4 | |
| 21 | GU93180105 | Dop | 2 | |
| 22 | GU95005308 | Sluitring 8,4x14,57x1,6 | 4 | |
| 23 | GU03922280 | Dop 5x9 | 1 | |

| | |
|---------------------|--------------------------|
| Groep | ENGINE |
| Code | 34.10 |
| Beschrijving | Transmission complete II |
| Revisie | 1 |



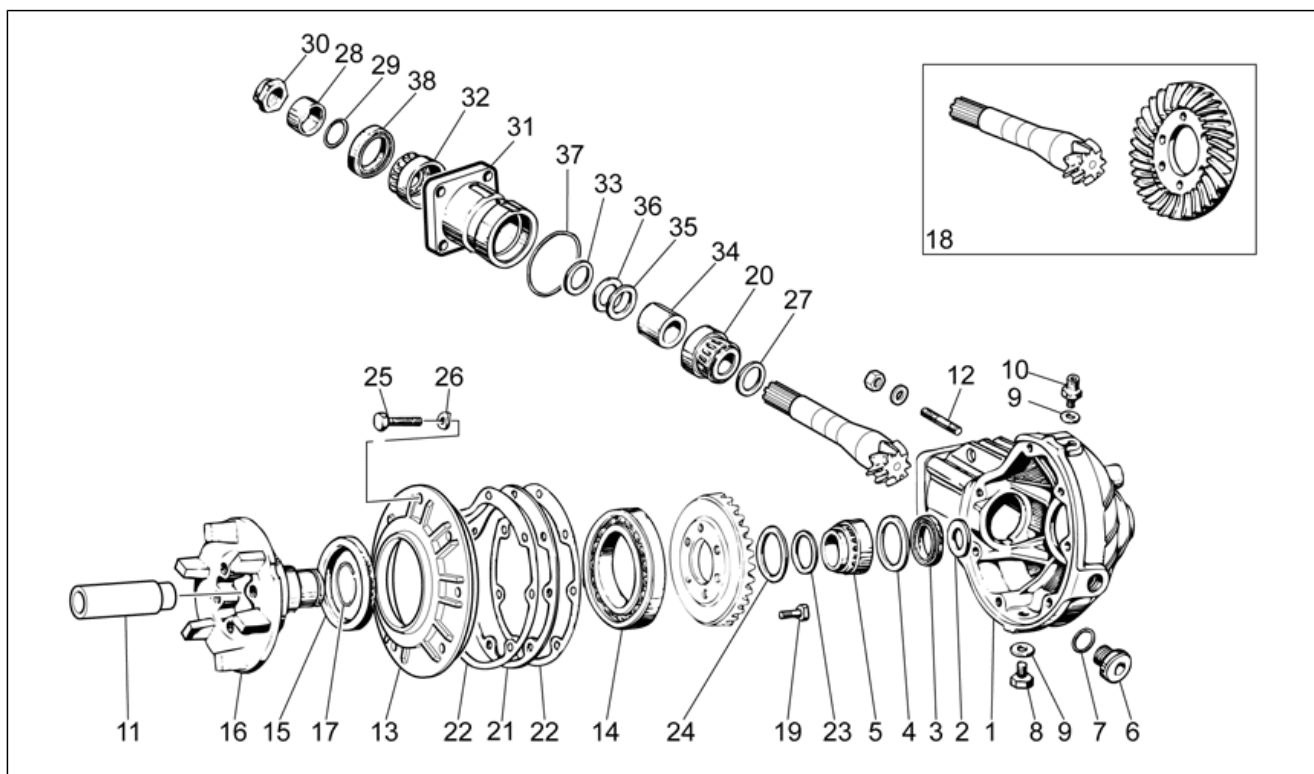
| Pos. | Code | Beschrijving | Aant. | Varianten |
|------|------------|--------------------------|-------|-----------|
| 1 | 976608 | Doos transm. zwart | 1 | |
| 2 | GU19351900 | Steunende sluitring | 1 | |
| 3 | GU90403549 | Dichtingsring 35x47x7 | 1 | |
| 4 | GU19351100 | Steunende sluitring | 1 | |
| 5 | GU92252235 | Rollager 35x50x17 | 1 | |
| 6 | GU12022600 | Oliedop | 1 | |
| 7 | GU90706203 | OR-ring 20,24X2,62 | 1 | |
| 8 | GU31003766 | Afvoerdop olie M10x1 | 1 | |
| 9 | GU01528930 | Pakking 10x18x1,5 | 2 | |
| 10 | GU19206501 | Dop ontluchting | 1 | |
| 11 | GU32633560 | Afstandhouder | 1 | |
| 12 | GU96508055 | Stiftbout | 4 | |
| 13 | GU32350410 | Bedekking | 1 | |
| 14 | GU92201070 | Kogellager 70x110x13 | 1 | |
| 15 | GU90407591 | Dichtingsring 75x95x10 | 1 | |
| 16 | GU32351410 | Pin | 1 | |
| 17 | GU90353030 | Blokkeerring | 1 | |
| 18 | GU32354610 | Conisch koppel 8/33 | 1 | |
| 19 | GU03067730 | Bout M8x25 | 6 | |
| 20 | GU92249227 | Conische kogellager 25x5 | 1 | |
| 21 | GU19355400 | Dikte 0,8 mm | 1 | |
| 21 | GU19355402 | Dikte 0,9 mm | 1 | |
| 21 | GU19355404 | Dikte 1 mm | 1 | |
| 21 | GU19355406 | Dikte 1,1 mm | 1 | |
| 21 | GU19355408 | Dikte 1,2 mm | 1 | |
| 21 | GU19355410 | Dikte 1,3 mm | 1 | |
| 21 | GU19355411 | Dikte 1,4 mm | 1 | |
| 21 | GU19355412 | Dikte 1,5 mm | 1 | |

| | |
|---------------------|--------------------------|
| Groep | ENGINE |
| Code | 34.10 |
| Beschrijving | Transmission complete II |
| Revisie | 1 |



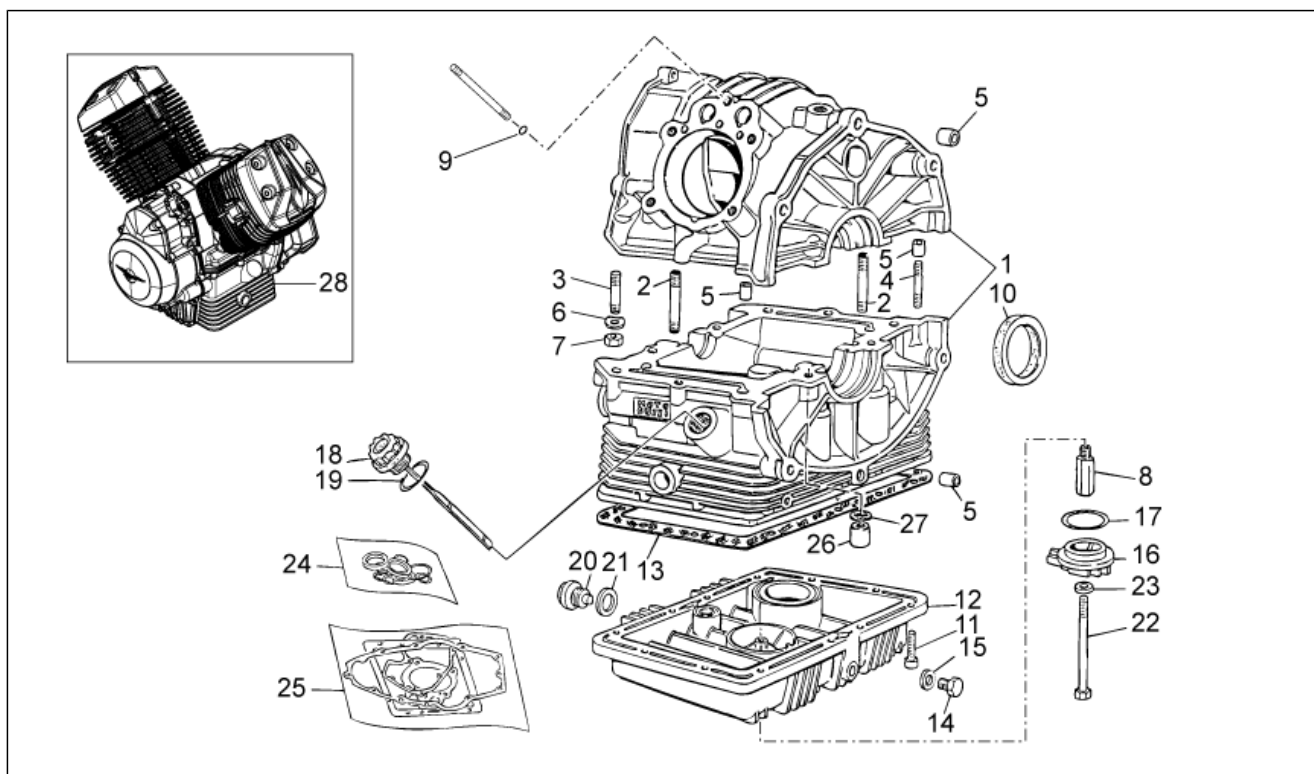
| Pos. | Code | Beschrijving | Aant. | Varianten |
|------|------------|-------------------------------|-------|-----------|
| 21 | GU19355413 | Dikte 1,6 mm | 1 | |
| 22 | GU19350700 | Pakking | 2 | |
| 23 | GU19352300 | Schraapring | 1 | |
| 24 | GU19353500 | Schraapring | 1 | |
| 25 | GU19357660 | Bout | 7 | |
| 26 | GU61270300 | Elastische sluitring 8x15x0,3 | 7 | |
| 27 | GU19355320 | Dikte 1 mm | 1 | |
| 27 | GU19355321 | Dikte 1,1 mm | 1 | |
| 27 | GU19355322 | Dikte 1,2 mm | 1 | |
| 27 | GU19355323 | Dikte 1,3 mm | 1 | |
| 27 | GU19355324 | Dikte 1,4 mm | 1 | |
| 27 | GU19355325 | Dikte 1,5 mm | 1 | |
| 27 | GU19355326 | Dikte 1,6 mm | 1 | |
| 27 | GU19355327 | Dikte 1,7 mm | 1 | |
| 27 | GU19355328 | Dikte 1,8 mm | 1 | |
| 27 | GU19355329 | Dikte 1,9 mm | 1 | |
| 28 | GU19356801 | Afstandhouder | 1 | |
| 29 | GU90706188 | Dichtingsring 18,77X1,78 | 1 | |
| 30 | GU19356700 | Moer | 1 | |
| 31 | GU20352421 | Cover | 1 | |
| 32 | GU92249220 | Rollager 20x47x14 | 1 | |
| 33 | GU19355300 | Dikte 1 mm | 1 | |
| 33 | GU19355301 | Dikte 1,1 mm | 1 | |
| 33 | GU19355302 | Dikte 1,2 mm | 1 | |
| 33 | GU19355303 | Dikte 1,3 mm | 1 | |
| 33 | GU19355304 | Dikte 1,4 mm | 1 | |
| 33 | GU19355305 | Dikte 1,5 mm | 1 | |
| 33 | GU19355306 | Dikte 1,6 mm | 1 | |

| | |
|---------------------|--------------------------|
| Groep | ENGINE |
| Code | 34.10 |
| Beschrijving | Transmission complete II |
| Revisie | 1 |



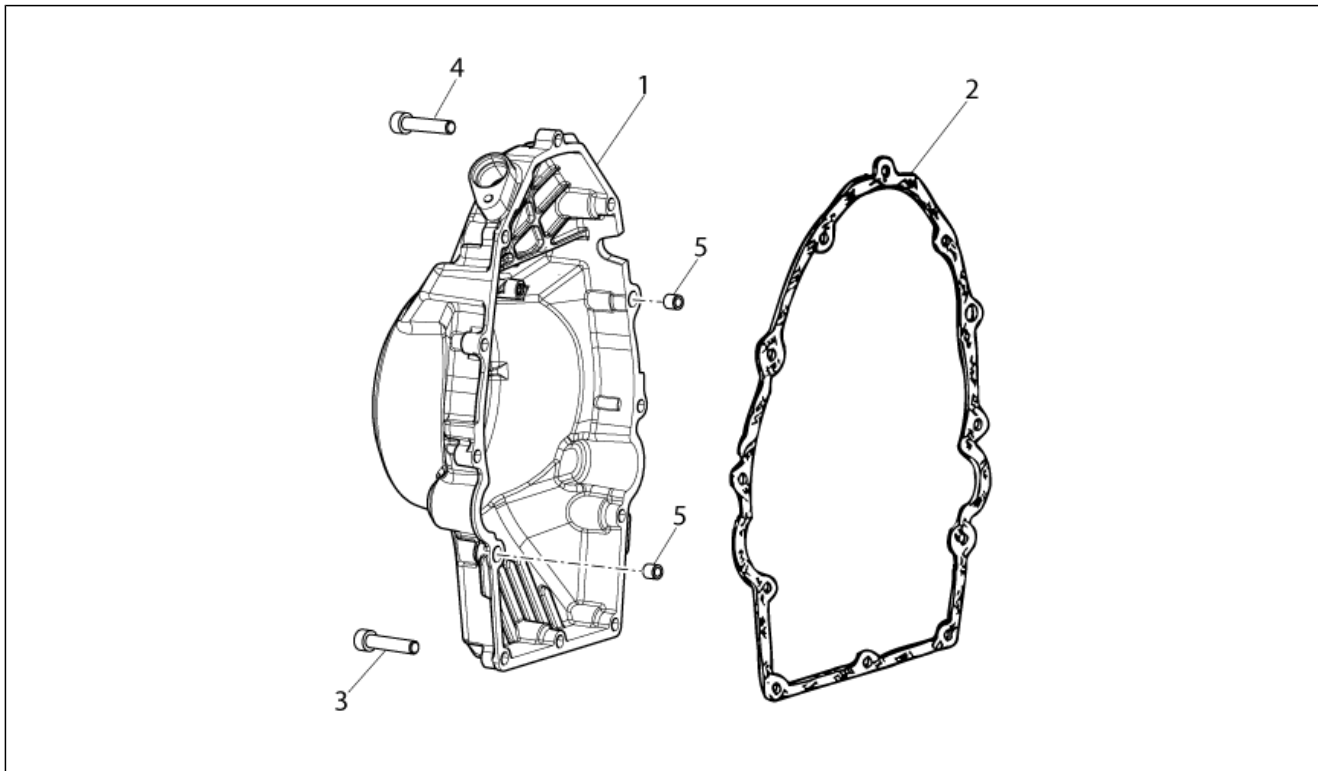
| Pos. | Code | Beschrijving | Aant. | Varianten |
|------|------------|--------------------------|-------|-----------|
| 33 | GU19355307 | Dikte 1,7 mm | 1 | |
| 33 | GU19355308 | Dikte 1,8 mm | 1 | |
| 33 | GU19355309 | Dikte 1,9 mm | 1 | |
| 34 | GU20355121 | Afstandhouder | 1 | |
| 35 | GU19355200 | Sluitring regel. 0,1 mm | 1 | |
| 36 | GU19355202 | Sluitring regel. 0,15 mm | 1 | |
| 37 | GU90706584 | Pakking 58,42x2,62 | 1 | |
| 38 | GU90403251 | Dichtingsring 32x47x10 | 1 | |

| | |
|---------------------|------------|
| Groep | ENGINE |
| Code | 34.34 |
| Beschrijving | Crank-case |
| Revisie | 1 |



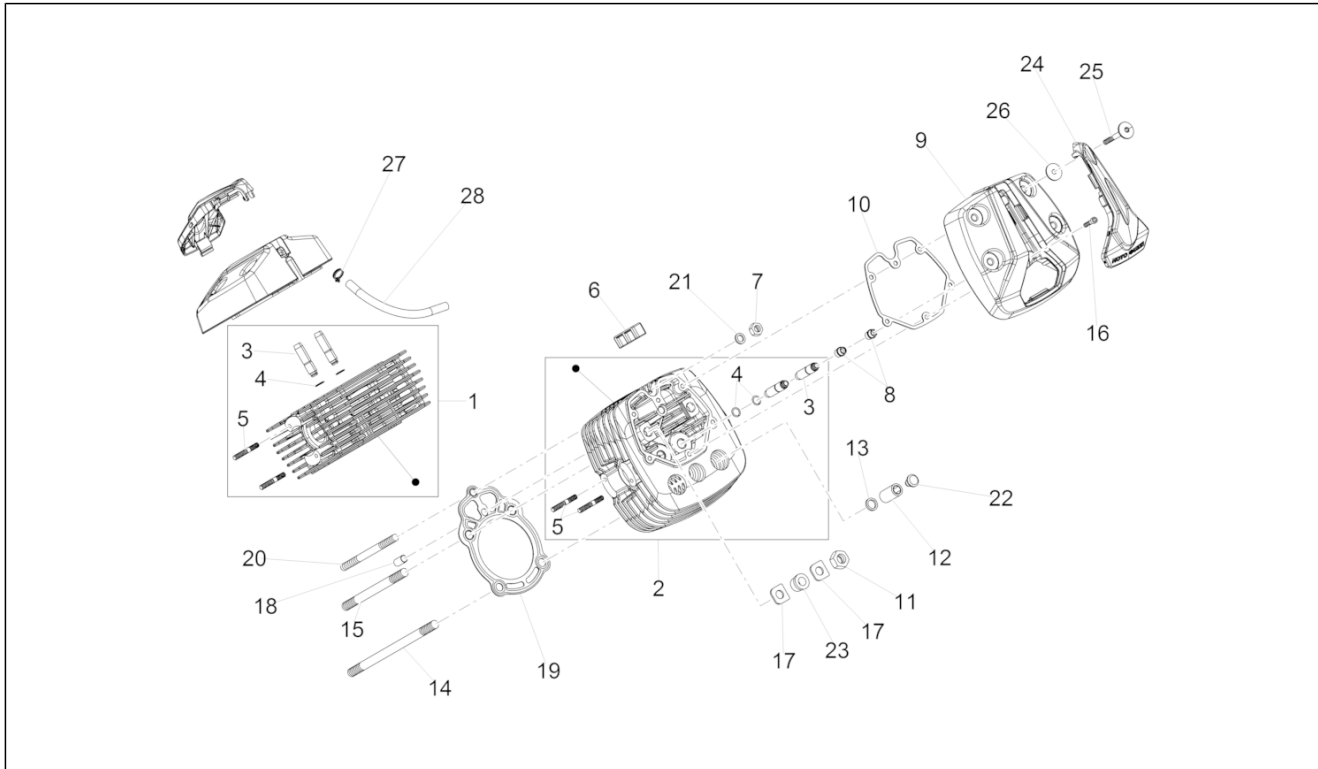
| Pos. | Code | Beschrijving | Aant. | Varianten |
|------|------------|-------------------------------|-------|-----------|
| 1 | 2A0002355 | Onderstel motor cpl. | 1 | |
| 2 | GU96451560 | Stiftbout | 4 | |
| 3 | GU96451430 | Stiftbout | 4 | |
| 4 | GU96508055 | Stiftbout | 2 | |
| 5 | GU19015020 | Beslagring | 4 | |
| 6 | GU61270300 | Elastische sluitring 8x15x0,3 | 6 | |
| 7 | GU92606208 | Moer M8x1,25 | 6 | |
| 8 | GU19003800 | Verbinding | 1 | |
| 9 | GU90706076 | OR-ring | 2 | |
| 10 | 886365 | Dichtingsring | 1 | |
| 11 | GU98682325 | Binnenzeskantbout M6x25 | 12 | |
| 12 | 976604 | Oliecarter motor grijs | 1 | |
| 13 | 887004 | Pakking oliecarter | 1 | |
| 14 | GU31003766 | Afvoerdop olie M10x1 | 1 | |
| 15 | GU10528900 | Pakking in aluminium | 1 | |
| 16 | 976685 | Bedekking | 1 | |
| 17 | GU90706444 | OR-ring | 1 | |
| 18 | 883826 | Invoerdop olie | 1 | |
| 19 | GU90706281 | OR-ring 28,24x2,62 | 1 | |
| 20 | GU12003702 | Afvoerdop olie | 1 | |
| 21 | GU95100709 | Pakking 20,1x28x2 | 1 | |
| 22 | GU27152885 | Schroefbout | 1 | |
| 23 | GU12154200 | Pakking 8,25x15x1 | 1 | |
| 24 | GU32999510 | Oliekeerringen-serie | 1 | |
| 25 | GU32999010 | Pakkingen-serie | 1 | |
| 26 | GU13021900 | Kolomv. moer | 4 | |
| 27 | GU95129180 | Sluitring 10,5X18X0,8 | 4 | |
| 28 | 2L0002405 | Motor cpl. zonder versn.bak | 1 | |

| | |
|---------------------|---------------------|
| Groep | ENGINE |
| Code | 34.35 |
| Beschrijving | Timing system cover |
| Revisie | 1 |



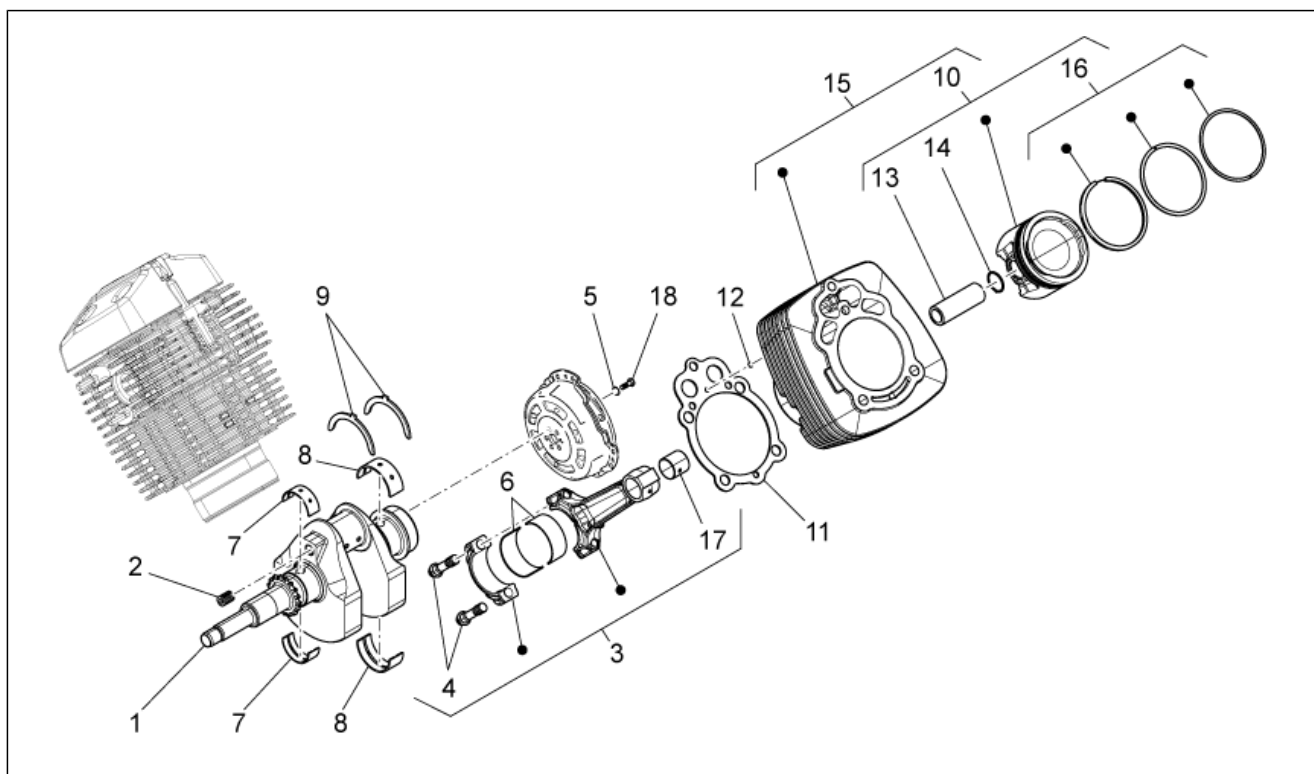
| Pos. | Code | Beschrijving | Aant. | Varianten |
|------|------------|-------------------------|-------|-----------|
| 1 | 2A000085 | Bedekking generator | 1 | |
| 2 | 887003 | Pakking bedekking | 1 | |
| 3 | GU98682325 | Binnenzeskantbout M6x25 | 10 | |
| 4 | GU98682330 | Binnenzeskantbout M6x20 | 2 | |
| 5 | GU19002020 | Beslagring 6,6x9x13 | 2 | |

| | |
|---------------------|---------------|
| Groep | ENGINE |
| Code | 34.36 |
| Beschrijving | Cylinder head |
| Revisie | 1 |



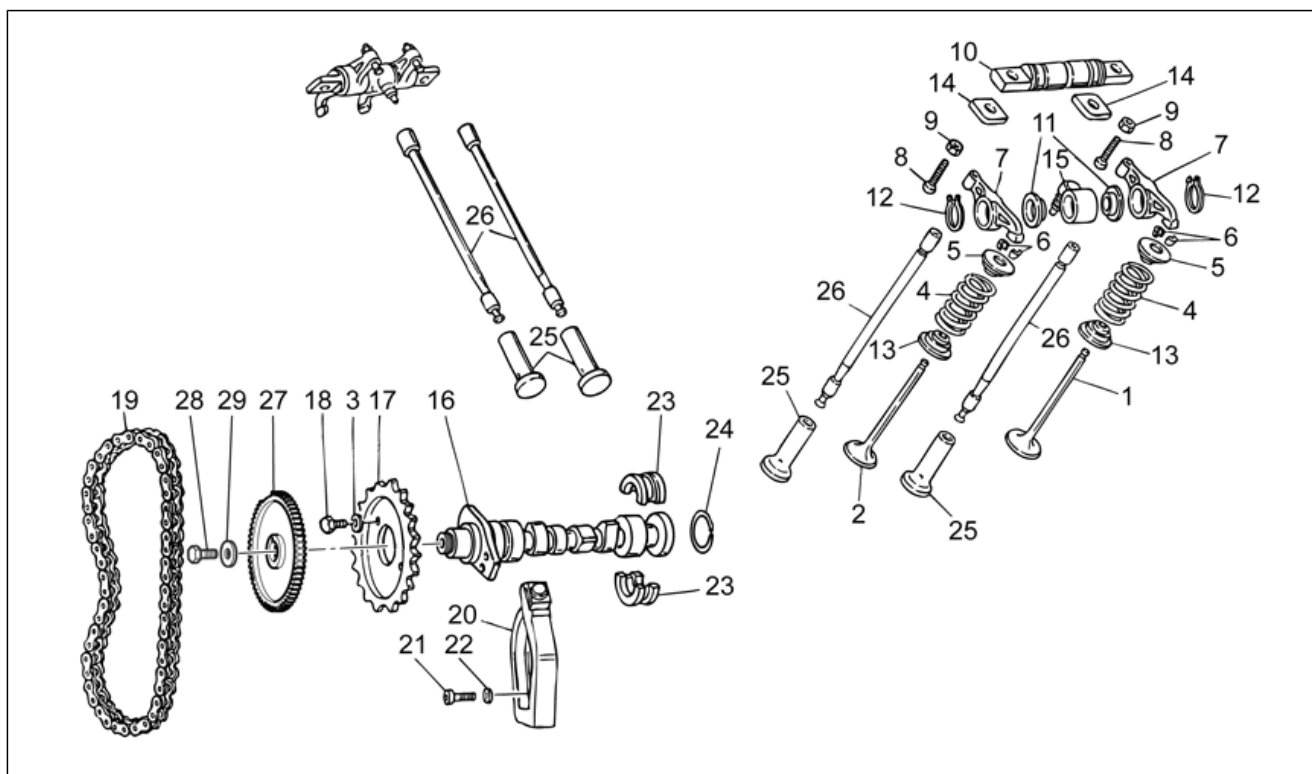
| Pos. | Code | Beschrijving | Aant. | Varianten |
|------|------------|-------------------------------|-------|-----------|
| 1 | 8872724 | Kop re | 1 | |
| 2 | 8872754 | Kop li | 1 | |
| 3 | GU61036801 | Klepgeleider | 4 | |
| 4 | GU90353009 | Elastische ring | 4 | |
| 5 | GU96506042 | Stiftbout | 4 | |
| 6 | B063111 | Trillingsdempende plug | 4 | |
| 7 | GU19021920 | Moer | 2 | |
| 8 | GU19037820 | Oliekeerring | 4 | |
| 9 | 887523 | Kopdeksel | 2 | |
| 10 | 887002 | Pakking bedekking kop | 2 | |
| 11 | GU92603010 | Moer M10X1,5 | 4 | |
| 12 | GU13021900 | Kolomv. moer | 4 | |
| 13 | GU95129180 | Sluitring 10,5X18X0,8 | 4 | |
| 14 | GU96510214 | Stiftbout M10x214 | 4 | |
| 15 | GU96510181 | Stiftbout M10x182 | 4 | |
| 16 | GU98692325 | Binnenzeskantbout M6x25 | 4 | |
| 17 | GU19032980 | Dikte | 8 | |
| 18 | GU19021360 | Beslagring | 2 | |
| 19 | B063099 | Pakking kop-cilinder | 2 | |
| 20 | 976898 | Stiftbout M8x140 | 2 | |
| 21 | GU61270300 | Elastische sluitring 8x15x0,3 | 2 | |
| 22 | GU93180245 | Dop | 4 | |
| 23 | AP8144071 | Rubbertje uitlaat | 1 | |
| 24 | 887279 | Bedekking bougie | 2 | |
| 25 | 887483 | Bout kopdeksel M6x52.5 | 8 | |
| 26 | 969973 | Sluitring | 8 | |
| 27 | AP8201358 | Klemmetje D 11,9 | 1 | |
| 28 | 2B001204 | Buis blow-by | 1 | |

| | |
|---------------------|-----------------|
| Groep | ENGINE |
| Code | 34.37 |
| Beschrijving | Crankshaft cpl. |
| Revisie | 1 |



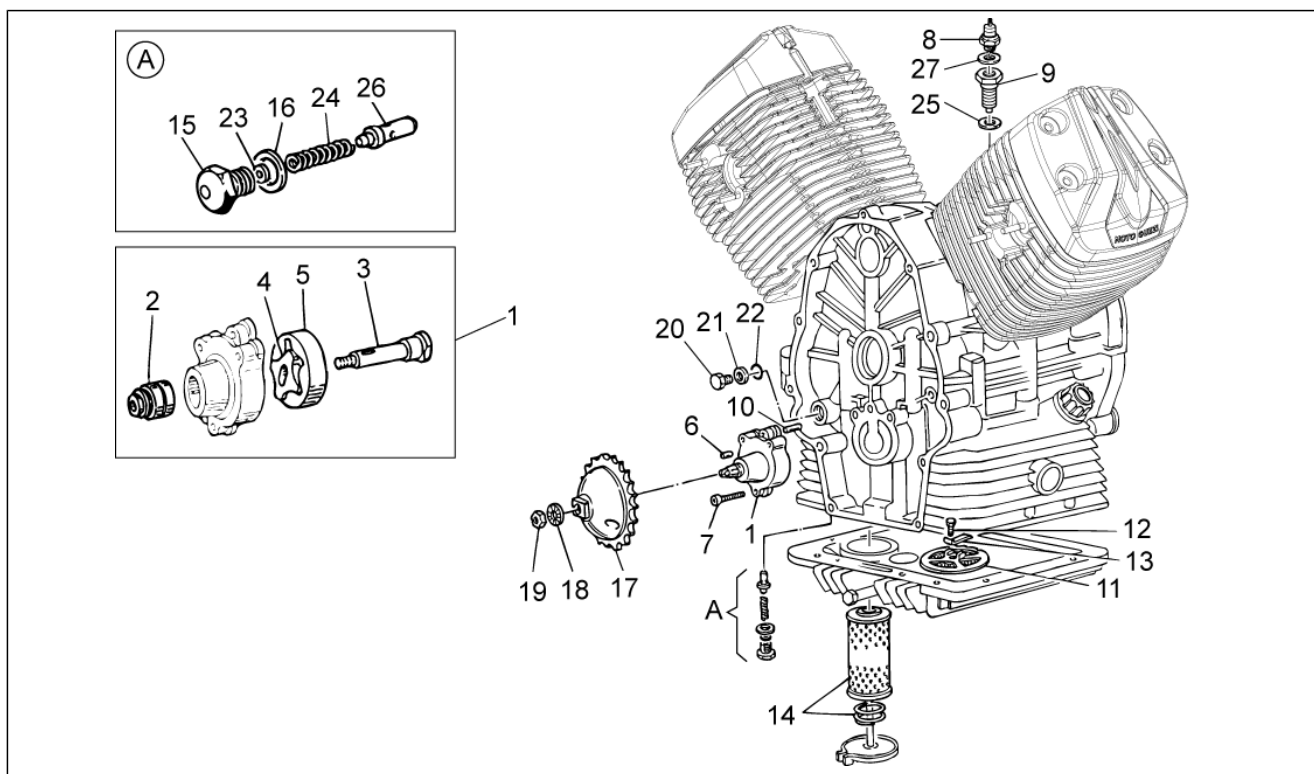
| Pos. | Code | Beschrijving | Aant. | Varianten |
|------|------------|---------------------------|-------|-----------|
| 1 | 2A0000995 | Drijfjas | 1 | |
| 2 | GU19065400 | Dop | 1 | |
| 3 | GU27061585 | Drijfstang cpl. | 2 | |
| 4 | GU19062261 | Bout | 4 | |
| 5 | GU14615901 | Sluitring 8,4X13X0,8 | 6 | |
| 6 | GU27062060 | Halfdop kussenblok | 4 | |
| 7 | GU27065660 | Halfdop kussenblok voor | 2 | |
| 8 | GU27066560 | Halfdop kussenblok acht. | 2 | |
| 9 | GU27066460 | Halfsluitring | 2 | |
| 10 | 8872690001 | Zuiger compl. d.80 Cat. D | 1 | |
| 10 | 8872690002 | Zuiger compl. d.80 Cat. E | 1 | |
| 10 | 8872690003 | Zuiger compl. d.80 Cat. F | 1 | |
| 11 | 886670 | Cylinder gasket | 2 | |
| 12 | GU61027200 | OR-ring | 2 | |
| 13 | B063016 | Zuigerpen | 2 | |
| 14 | 874567 | Blokkeerring | 4 | |
| 15 | B063465 | Cilinder met zuiger cpl. | 2 | |
| 16 | B063466 | Kit elastische banden | 2 | |
| 17 | GU27061885 | Beslagring | 2 | |
| 18 | GU19067700 | Bout | 6 | |

| | |
|---------------------|---------------|
| Groep | ENGINE |
| Code | 34.38 |
| Beschrijving | Timing system |
| Revisie | 1 |



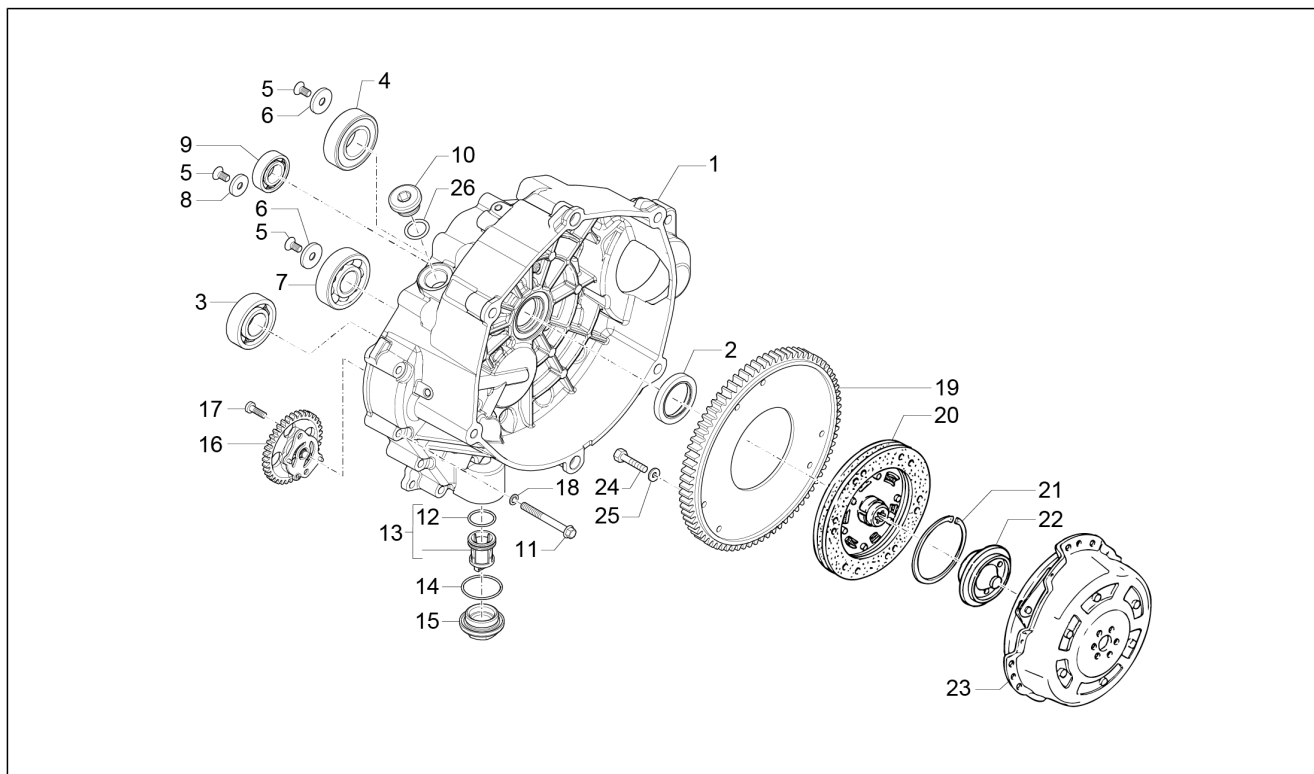
| Pos. | Code | Beschrijving | Aant. | Varianten |
|------|------------|-----------------------|-------|-----------|
| 1 | 2A000146 | Aanzuigklep | 2 | |
| 2 | 2A000147 | Exhaust valve | 2 | |
| 3 | GU23217800 | Sluiring veiligheid | 2 | |
| 4 | GU27037521 | Veer | 4 | |
| 5 | GU31038015 | Schijf bov. | 4 | |
| 6 | GU61038100 | Halfconus | 8 | |
| 7 | GU19030500 | Balanceringen | 4 | |
| 8 | GU19034000 | Bout | 4 | |
| 9 | GU92602406 | Moer M6x1 | 4 | |
| 10 | GU19032080 | Pin balancering | 2 | |
| 11 | GU32032310 | Schraapring | 4 | |
| 12 | GU90271018 | Seegerring | 4 | |
| 13 | GU31037015 | Schijf ond. | 4 | |
| 14 | GU19032980 | Dikte | 4 | |
| 15 | GU19027500 | Mof | 2 | |
| 16 | GU32053410 | Nokkenas | 1 | |
| 17 | GU32054510 | Raderw.distrib. | 1 | |
| 18 | GU61054900 | Schroefbout | 2 | |
| 19 | GU19058021 | Distributieketting | 1 | |
| 20 | GU19058220 | Kettingspanner distr. | 1 | |
| 21 | GU98882316 | Bout | 1 | |
| 22 | GU95129115 | Sluiring | 1 | |
| 23 | GU19055700 | Sector blokk. | 2 | |
| 24 | GU90353029 | Elastische ring | 1 | |
| 25 | GU19045861 | Kleplicht. | 4 | |
| 26 | GU31045015 | Staaft balanceringen | 4 | |
| 27 | 887528 | Geluidswiel | 1 | |
| 28 | GU98054422 | Bout M8x22 | 1 | |

| | |
|---------------------|----------|
| Groep | ENGINE |
| Code | 34.39 |
| Beschrijving | Oil pump |
| Revisie | 1 |



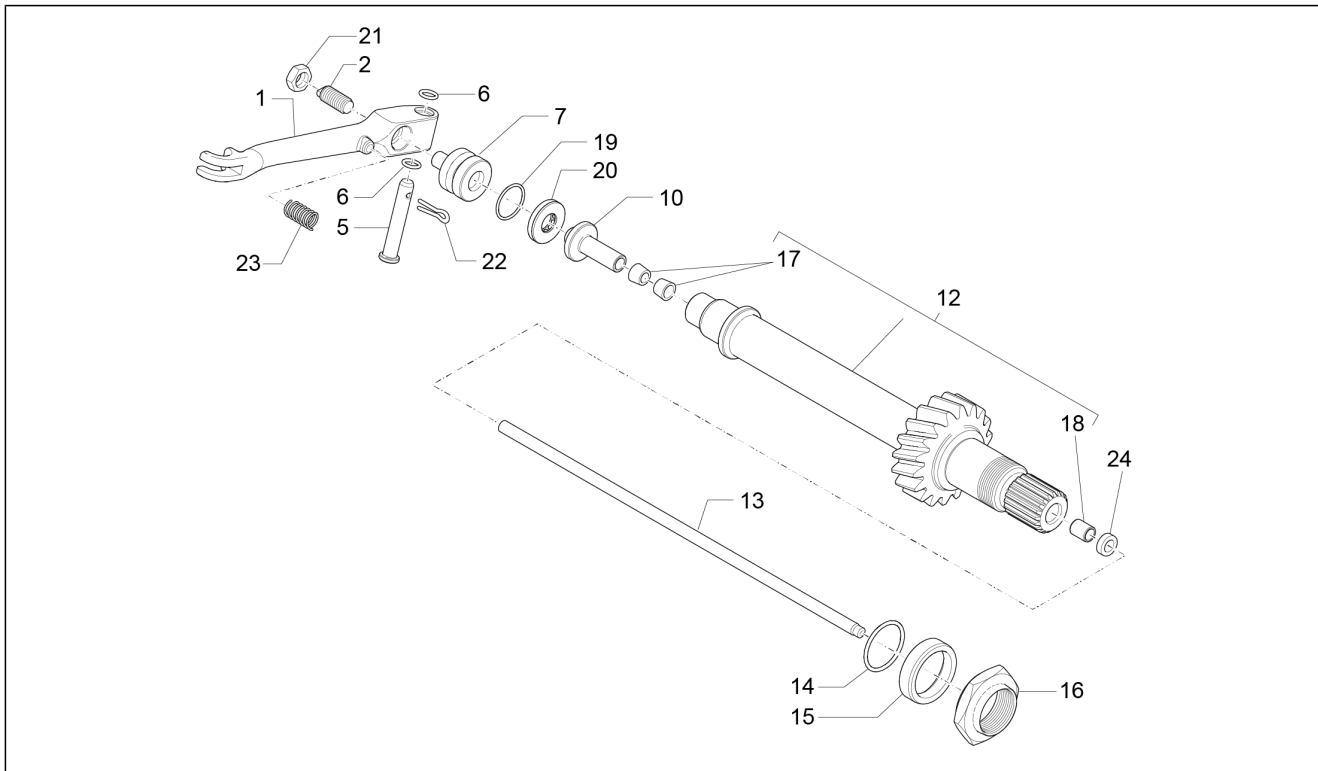
| Pos. | Code | Beschrijving | Aant. | Varianten |
|------|------------|----------------------------|-------|-----------|
| 1 | GU19146422 | Oliepomp | 1 | |
| 2 | GU92252210 | Rollager 10x22x20 | 1 | |
| 3 | GU20147810 | As oliepom | 1 | |
| 4 | GU20148410 | Rotor int. | 1 | |
| 5 | GU20148610 | Rotor ext. | 1 | |
| 6 | GU92296723 | Rol | 1 | |
| 7 | 884039 | Binnenzeskantbout M6x35 | 3 | |
| 8 | 641541 | Sensor oliedruk | 1 | |
| 9 | 887093 | Verbinding zender | 1 | |
| 10 | GU19018920 | Plug | 2 | |
| 11 | GU19152200 | Oliefilter | 1 | |
| 12 | GU98084314 | Zeskantbout M6x14 | 1 | |
| 13 | GU95187006 | Plaatje | 1 | |
| 14 | GU27153085 | Oliefilter | 1 | |
| 15 | GU31159050 | Dop | 1 | |
| 16 | GU18144350 | Sluitring 18,25x24x1 | 3 | |
| 17 | GU20147710 | Raderw.pomp | 1 | |
| 18 | AP8152220 | Gekart. sluitring | 1 | |
| 19 | GU92602510 | Moer M10x1,25 | 1 | |
| 20 | GU31016050 | Dop | 1 | |
| 21 | GU18161150 | Pakking in aluminium 14,25 | 1 | |
| 22 | GU90706111 | OR-ring | 1 | |
| 23 | GU95008206 | Sluitring 6,15x11x0,8 | 3 | |
| 24 | GU94321079 | Veer | 1 | |
| 25 | GU95100602 | Pakking | 1 | |
| 26 | GU31159050 | Zuigertje | 1 | |
| 27 | GU95100309 | Sluitring | 1 | |

| | |
|---------------------|----------|
| Groep | ENGINE |
| Code | 34.40 |
| Beschrijving | Clutch I |
| Revisie | 1 |



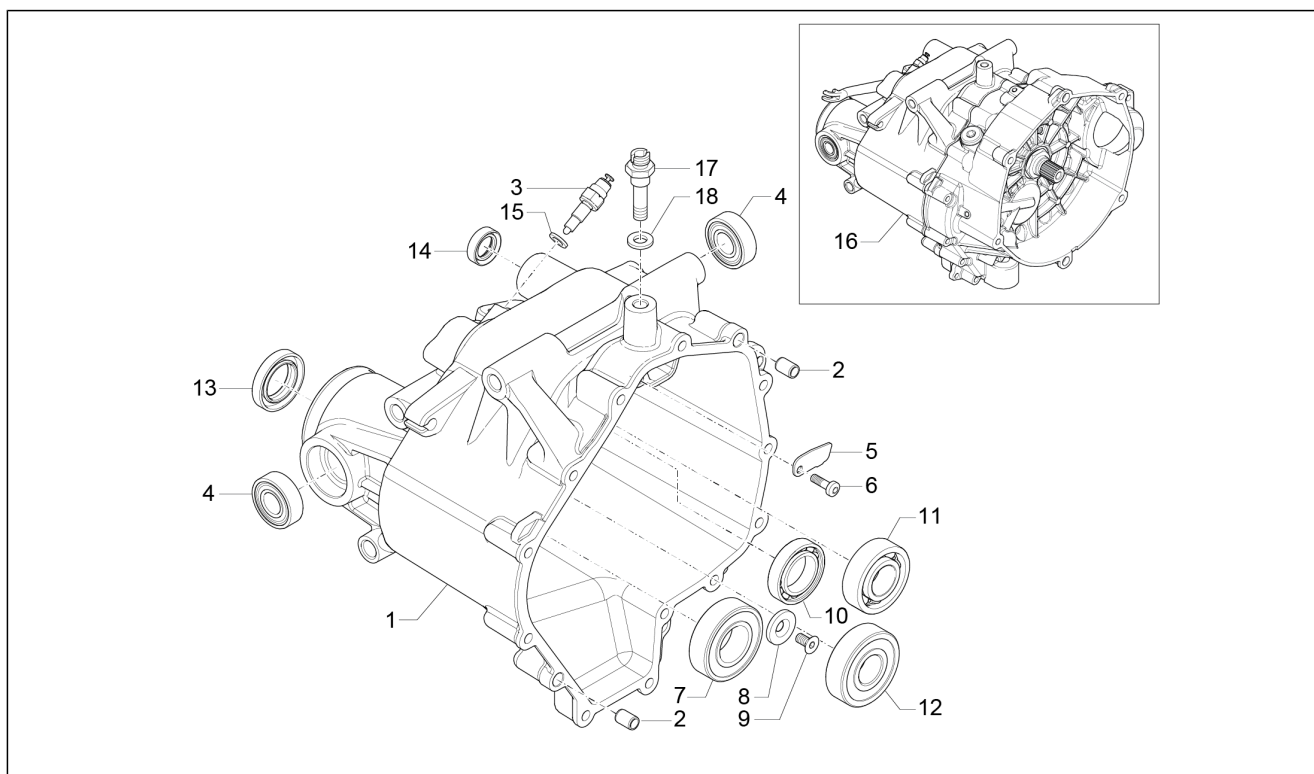
| Pos. | Code | Beschrijving | Aant. | Varianten |
|------|------------|------------------------------|-------|-----------|
| 1 | 2A0003794 | Koppelingsblok | 1 | |
| 2 | 886629 | Dichtingsring | 1 | |
| 3 | 848650 | Kogellager 20x47x14 | 1 | |
| 4 | GU92201226 | Kogellager 25x52x15 | 1 | |
| 5 | B013608 | Bout TSEI | 4 | |
| 6 | 873928 | Rondel | 3 | |
| 7 | GU92201822 | Kogellager 20x52x15 | 1 | |
| 8 | 873905 | Rondel | 1 | |
| 9 | 834764 | Lager | 1 | |
| 10 | GU12022600 | Oliedop | 1 | |
| 11 | AP8150045 | Binnenzeskantbout M6x55 | 14 | |
| 12 | B017406 | OR-ring 20.35x1.78 | 1 | |
| 13 | B018020 | Oliefilter cpl. | 1 | |
| 14 | 285536 | OR-ring 31,47x1,78 | 1 | |
| 15 | B015598 | Dop oliefilter | 1 | |
| 16 | B018448 | Oliepomp cpl. | 1 | |
| 17 | 2A000241 | Bout torx M5x16 | 2 | |
| 18 | GU95008306 | Sluitring 6,4x12x1,2 | 14 | |
| 19 | GU32067910 | Kroon | 1 | |
| 20 | GU32084410 | Schijf koppeling geleid | 1 | |
| 21 | GU90272075 | Elastische ring | 1 | |
| 22 | GU19083462 | Plaatje koppeling | 1 | |
| 23 | GU32080310 | Koppeling | 1 | |
| 24 | 884038 | Zeskantbout M6x16 | 6 | |
| 25 | GU14217901 | Gekart. sluitring 6,4x10x0,7 | 6 | |
| 26 | GU90706203 | OR-ring 20,24X2,62 | 1 | |

| | |
|---------------------|-----------|
| Groep | ENGINE |
| Code | 34.41 |
| Beschrijving | Clutch II |
| Revisie | 1 |



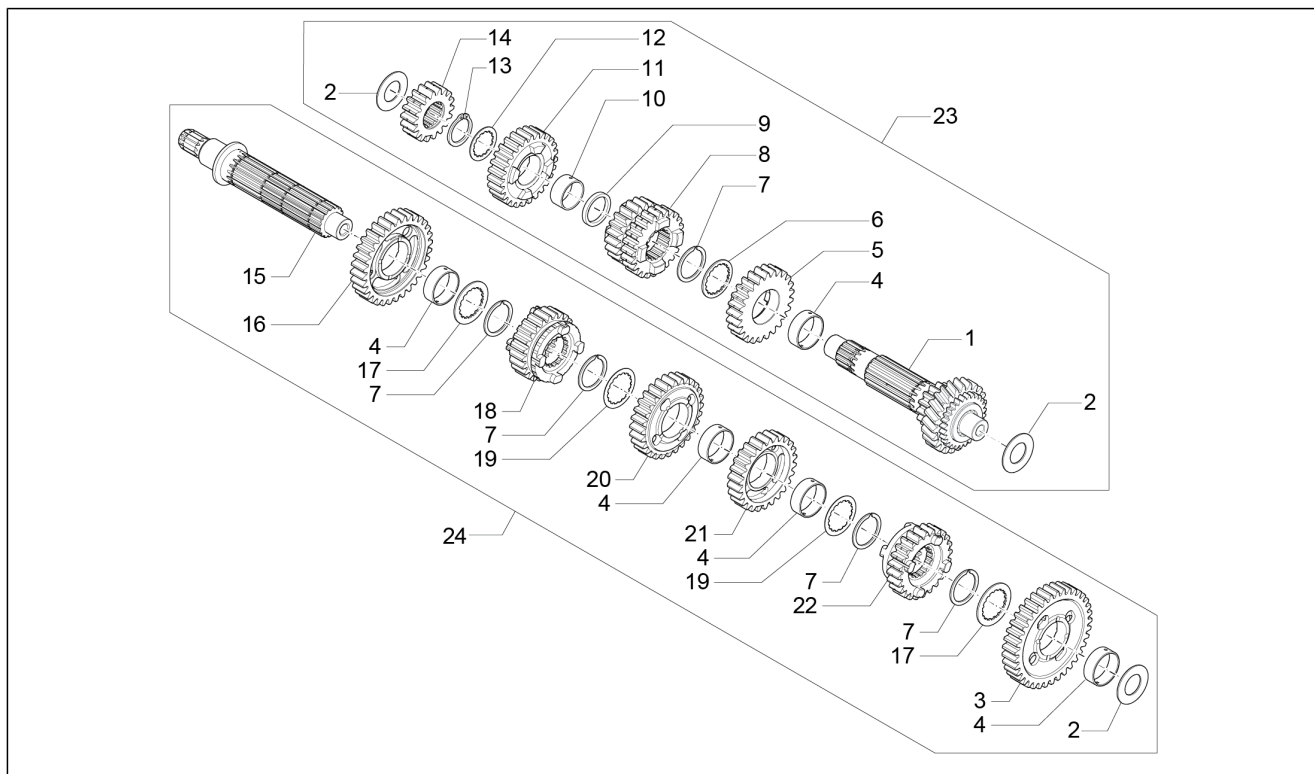
| Pos. | Code | Beschrijving | Aant. | Varianten |
|------|------------|-------------------------------|-------|-----------|
| 1 | 2A000383 | Ontkoppelingshendel koppeling | 1 | |
| 2 | GU14090400 | Registerbout | 1 | |
| 5 | 2A000384 | Pin hendel | 1 | |
| 6 | 2A000385 | O-ring 6.5x1.5 | 2 | |
| 7 | GU14086100 | Externe romnp | 1 | |
| 10 | B013037 | Romp int.koppeling | 1 | |
| 12 | 2A000204 | Koppelingsas Z=18 | 1 | |
| 13 | 2A000216 | Commandostaaf | 1 | |
| 14 | GU90706235 | O-ring 23,52x1,78 | 1 | |
| 15 | GU19213760 | Afstandhouder | 1 | |
| 16 | GU19356760 | Veiligheidsmoer | 1 | |
| 17 | GU14085900 | Huls | 2 | |
| 18 | GU05217630 | Beslagring | 1 | |
| 19 | GU90706170 | O-ring 17,13x2,62 | 1 | |
| 20 | 2A000376 | Lager drukst. | 1 | |
| 21 | GU92606508 | Moer | 1 | |
| 22 | GU95500222 | Splitpen | 1 | |
| 23 | GU94321105 | Trekveer hendel | 1 | |
| 24 | 2A000378 | Dichtingsring | 1 | |

| | |
|---------------------|-------------------|
| Groep | ENGINE |
| Code | 34.42 |
| Beschrijving | Transmission cage |
| Revisie | 1 |



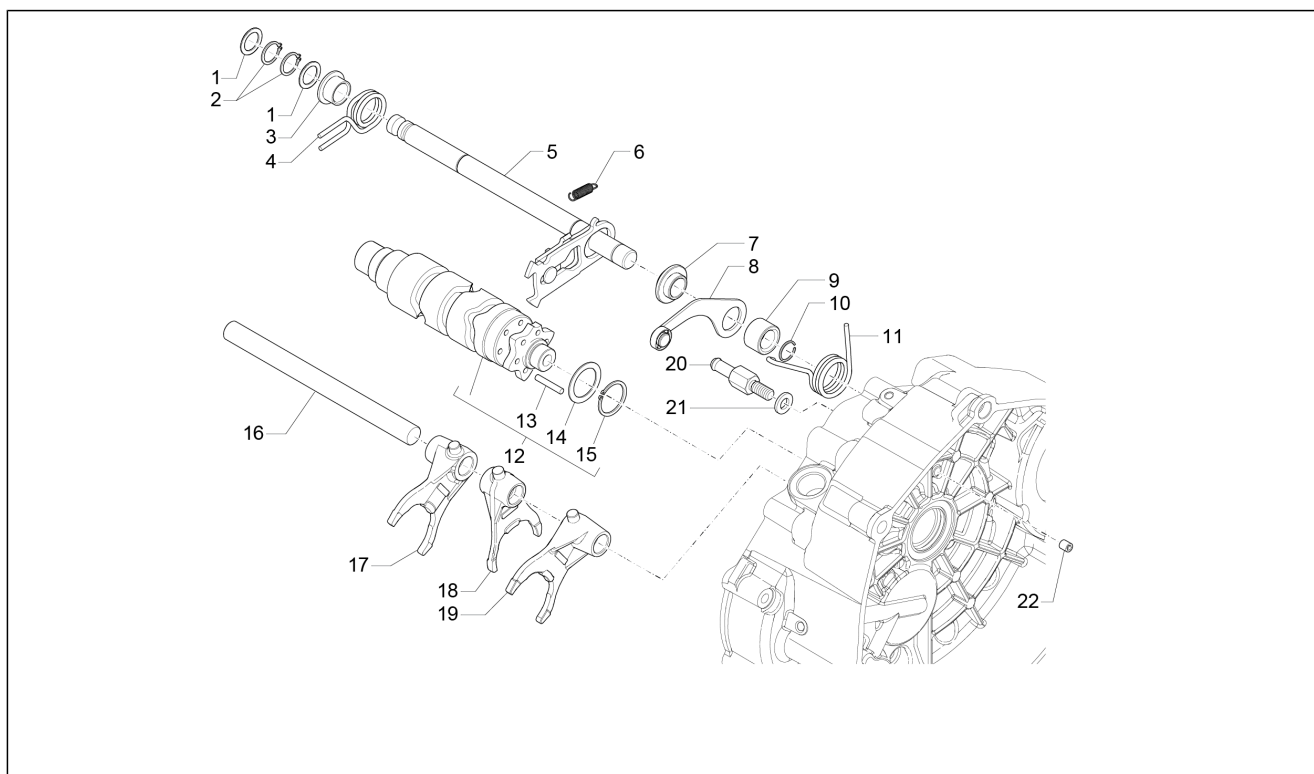
| Pos. | Code | Beschrijving | Aant. | Varianten |
|------|------------|-------------------------------|-------|-----------|
| 1 | 2A000210 | Doos versn.bak | 1 | |
| 2 | GU19002020 | Beslagring 6,6x9x13 | 2 | |
| 3 | B063269 | Sensor vrij | 1 | |
| 4 | 2A000097 | Kogellager 6202-2RSH/C3 LHT23 | 2 | |
| 5 | 2A000306 | Plaatje blokk. | 1 | |
| 6 | 2A000241 | Bout torx M5x16 | 1 | |
| 7 | GU92201226 | Kogellager 25x52x15 | 1 | |
| 8 | 873928 | Rondel | 1 | |
| 9 | B013608 | Bout TSEI | 1 | |
| 10 | 857250 | Kogellager 25x42x9 | 1 | |
| 11 | 2A000375 | Kogellager | 1 | |
| 12 | GU92201822 | Kogellager 20x52x15 | 1 | |
| 13 | GU90412541 | Dichtingsring 25X40X7 | 1 | |
| 14 | GU90401424 | Dichtingsring 14x24x7 | 1 | |
| 15 | B063025 | Pakking 8,7x14,2x1,3 | 1 | |
| 16 | 2A000196 | Versnellingsbak cpl. | 1 | |
| 17 | 2A000438 | Dop ontluchting | 1 | |
| 18 | GU01528930 | Pakking 10x18x1,5 | 1 | |

| | |
|---------------------|----------|
| Groep | ENGINE |
| Code | 34.43 |
| Beschrijving | Gear box |
| Revisie | 1 |



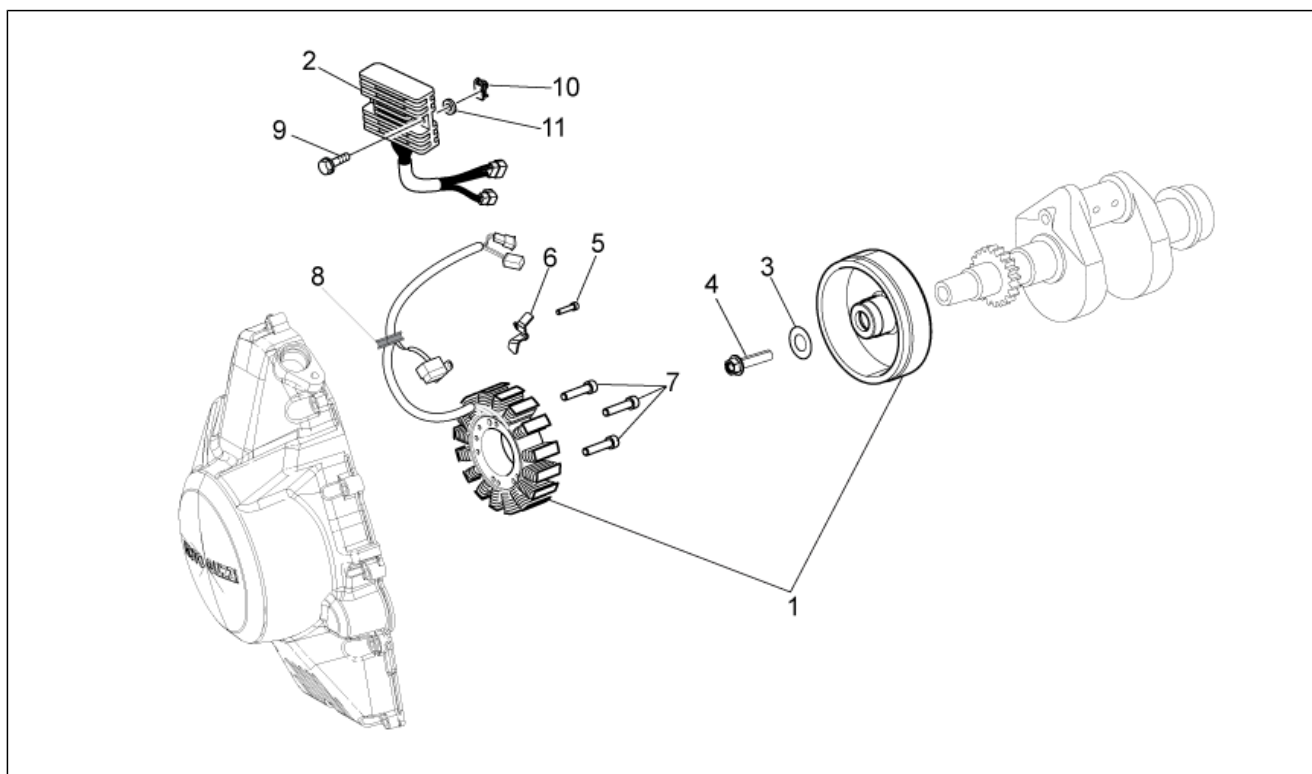
| Pos. | Code | Beschrijving | Aant. | Varianten |
|------|----------|-----------------------------|-------|-----------|
| 1 | 2A000230 | Primaire as | 1 | |
| 2 | 1A000566 | Rondella di spallamento | 3 | |
| 3 | B017470 | 1st gear | 1 | |
| 4 | 849308 | Zwevende beslagring | 5 | |
| 5 | 1A000360 | Raderwerk 5de snelheid' | 1 | |
| 6 | 849424 | Steunende sluitring | 1 | |
| 7 | 1A002604 | Elastische ring voor assen | 5 | |
| 8 | 1A000436 | Sliding pinion 3a - 4a vel. | 1 | |
| 9 | B015040 | Rondella di spallamento | 1 | |
| 10 | 974162 | Zwevende beslagring | 1 | |
| 11 | 1A000361 | Raderw.6e op prim. | 1 | |
| 12 | 849396 | Steunende sluitring | 1 | |
| 13 | 974165 | Elastische ring | 1 | |
| 14 | 1A000365 | Raderw.2e op prim. | 1 | |
| 15 | 2A000203 | Albero cambio secondario | 1 | |
| 16 | 1A000366 | Gear Z=32 | 1 | |
| 17 | 849309 | Steunende sluitring | 2 | |
| 18 | 1A000370 | Raderw. 6e Z=24 | 1 | |
| 19 | 849310 | Steunende sluitring | 2 | |
| 20 | 1A000367 | Gear Z=28 | 1 | |
| 21 | 1A000368 | Gear Z=26 | 1 | |
| 22 | 1A000369 | Gear wheel Z=24 | 1 | |
| 23 | 2A000199 | Complete primaire as | 1 | |
| 24 | 2A000202 | Complete secundaire as | 1 | |

| | |
|---------------------|-------------------|
| Groep | ENGINE |
| Code | 34.44 |
| Beschrijving | Gear box selector |
| Revisie | 1 |



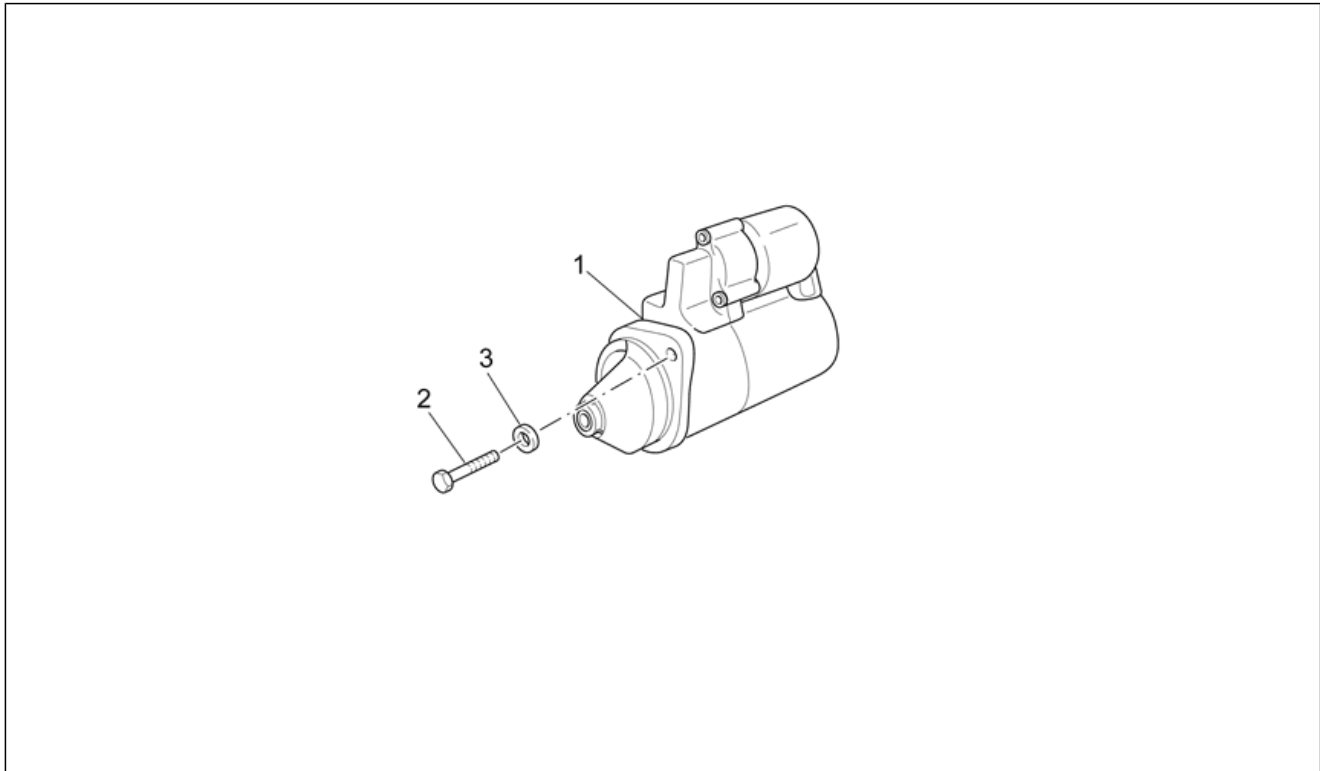
| Pos. | Code | Beschrijving | Aant. | Varianten |
|------|------------|---------------------------------|-------|-----------|
| 1 | GU05239330 | Koppelschotel | 2 | |
| 2 | GU90271014 | Seegerring | 2 | |
| 3 | GU05238131 | Afstandhouder | 1 | |
| 4 | B063956 | Trekveer schakelaar | 1 | |
| 5 | 2A000219 | Voorschakelaar cpl. | 1 | |
| 6 | GU05238231 | Veer | 1 | |
| 7 | GU05238431 | Beslagring | 1 | |
| 8 | B064112 | Hendel index cpl. | 1 | |
| 9 | GU05234230 | Afstandhouder | 1 | |
| 10 | GU90353014 | Seegerring | 1 | |
| 11 | B064113 | Veer index | 1 | |
| 12 | 2A000222 | Shift cam cpl. | 1 | |
| 13 | GU05234631 | Pin | 6 | |
| 14 | GU05235531 | Dikte | 1 | |
| 15 | GU90271022 | Seegerring | 1 | |
| 16 | 2A000224 | Staaaf | 1 | |
| 17 | 2A000226 | Vork 2-3 snelh. | 2 | |
| 18 | 2A000227 | Forchetta 5-6 v.tà | 1 | |
| 19 | 2A000225 | Forchetta per albero secondario | 1 | |
| 20 | 2A000416 | Vite di fermo | 1 | |
| 21 | B063025 | Pakking 8,7x14,2x1,3 | 1 | |
| 22 | 862560 | Speciale moer | 1 | |

| | |
|---------------------|-----------------------|
| Groep | ENGINE |
| Code | 34.45 |
| Beschrijving | Generator - Regulator |
| Revisie | 1 |



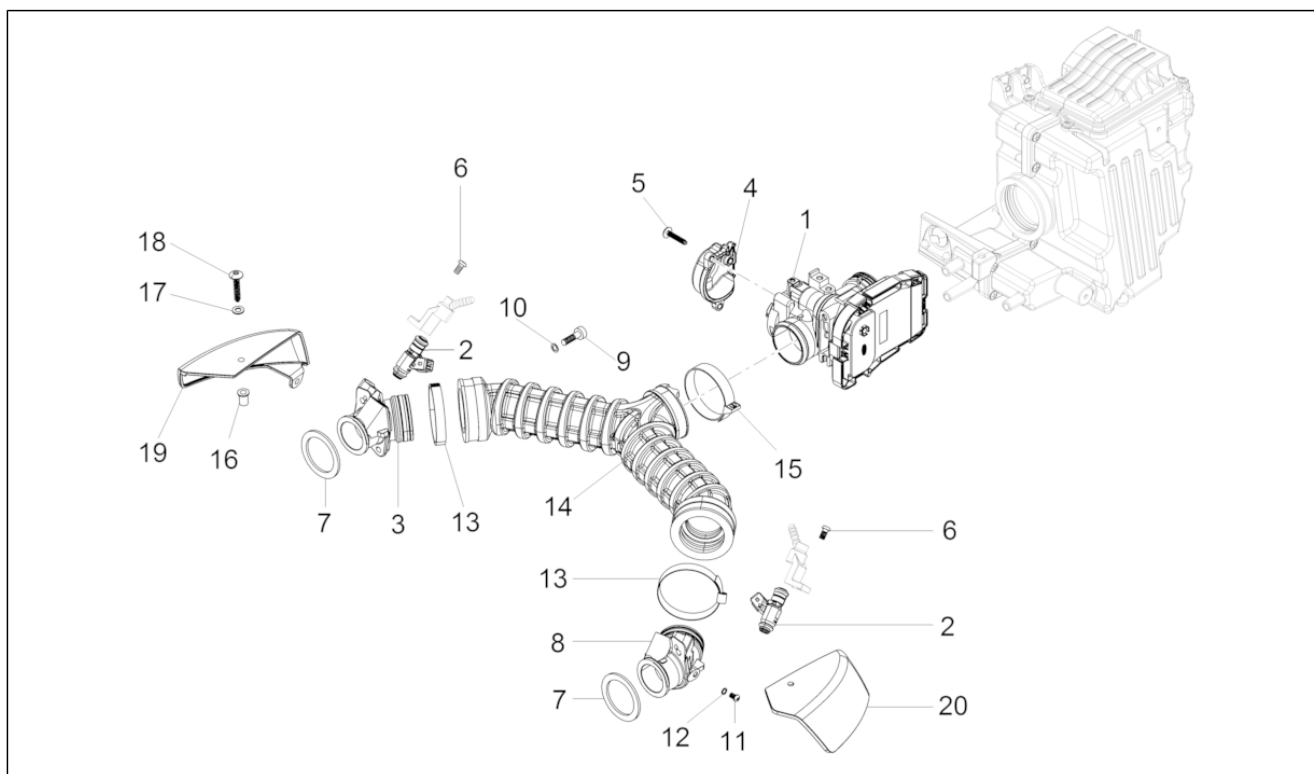
| Pos. | Code | Beschrijving | Aant. | Varianten |
|------|------------|----------------------------------|-------|-----------|
| 1 | 2D000024 | Vliegwielmagneet cpl. | 1 | |
| 2 | 2D000043 | Spanningsregelaar | 1 | |
| 3 | 897478 | Rondel 12x26.5x3 | 1 | |
| 4 | 857206 | Zeskantbout geflenst M12X1,25X50 | 1 | |
| 5 | GU98682212 | Binnenzeskantbout M5x12 | 1 | |
| 6 | 2A000115 | Plaatje | 1 | |
| 7 | 2A000129 | Binnenzeskantbout verlaagd M6x35 | 3 | |
| 8 | GU19007700 | Rubbetje | 1 | |
| 9 | AP8152281 | Zeskantbout geflenst M6x30 | 2 | |
| 10 | 254485 | Spring plate M6 | 2 | |
| 11 | GU95100125 | Sluitring | 2 | |

| | |
|---------------------|---------------|
| Groep | ENGINE |
| Code | 34.46 |
| Beschrijving | Starter motor |
| Revisie | 1 |



| Pos. | Code | Beschrijving | Aant. | Varianten |
|------|------------|----------------------|-------|-----------|
| 1 | GU05730730 | Startmotor Bosch | 1 | |
| 2 | GU98682435 | Binnenzeskantbout | 2 | |
| 3 | GU95008208 | Sluitring 8,4X15X1,5 | 2 | |

| | |
|---------------------|---------------|
| Groep | ENGINE |
| Code | 34.47 |
| Beschrijving | Throttle body |
| Revisie | 1 |



| Pos. | Code | Beschrijving | Aant. | Varianten |
|------|------------|---|-------|-----------|
| 1 | CM228306 | Elektronische centrale voor de injectie | 1 | |
| 2 | B063049 | Injector | 2 | |
| 3 | GU32115010 | Pijp aanz. re | 1 | |
| 4 | 880260 | Bescherming romp v. | 1 | |
| 5 | B016796 | Bolschroef torx | 3 | |
| 6 | AP8152298 | Bolbout met binnenzeskant, geflenst M5x16 | 2 | |
| 7 | GU32115510 | Pakking | 2 | |
| 8 | GU32115011 | Pijp aanz. li | 1 | |
| 9 | GU98622322 | Bout | 4 | |
| 10 | GU03013800 | Sluitring 6,4x12 | 4 | |
| 11 | 884029 | Bolbout met binnenzeskant M6x10 | 2 | |
| 12 | GU95100116 | Sluitring 6,25x10x1,5 | 2 | |
| 13 | 884311 | Klemmetje D.61 | 2 | |
| 14 | 2B001031 | Mof smooklephuis | 1 | |
| 15 | 884310 | Klemmetje D.55 | 1 | |
| 16 | GU93231605 | Huls antitrilling | 4 | |
| 17 | GU30577800 | Sluitring in nylon 5,5X12X1 | 4 | |
| 18 | GU98370515 | Bout | 4 | |
| 19 | 978938 | Bedekking re verchr. | 1 | |
| 20 | 978939 | Bedekking li | 1 | |